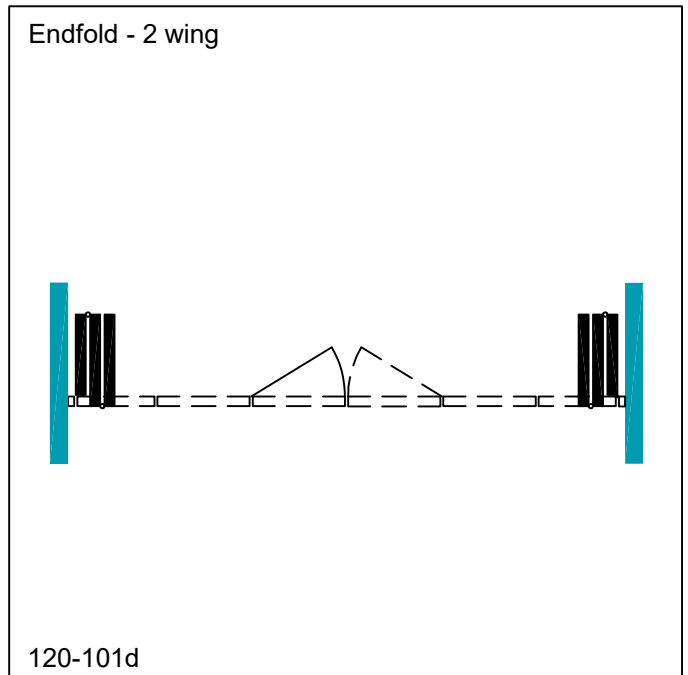
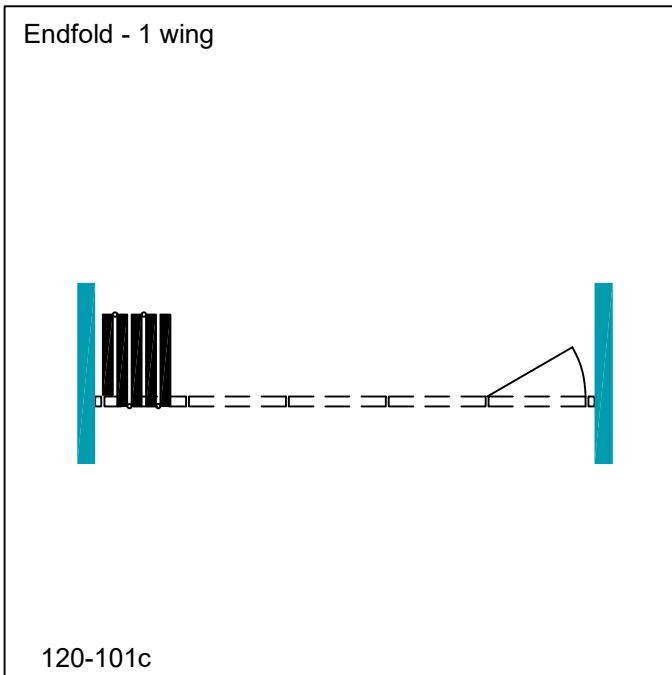
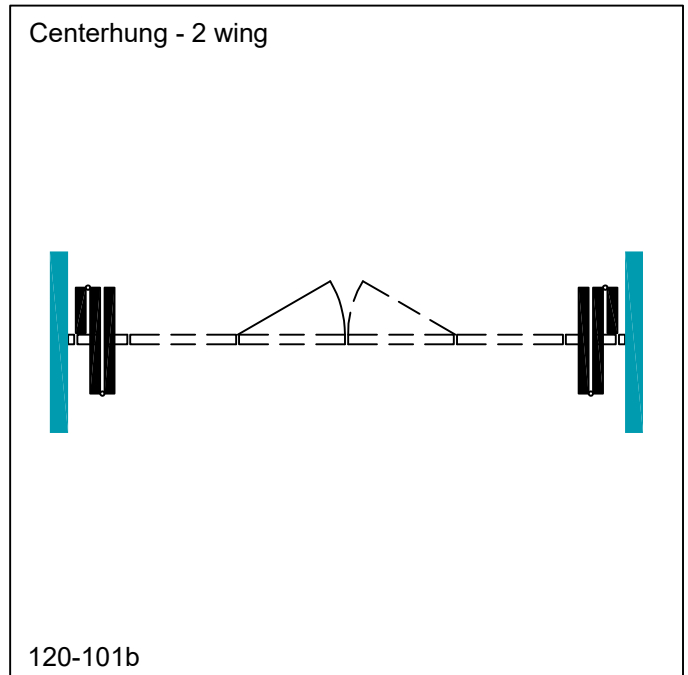
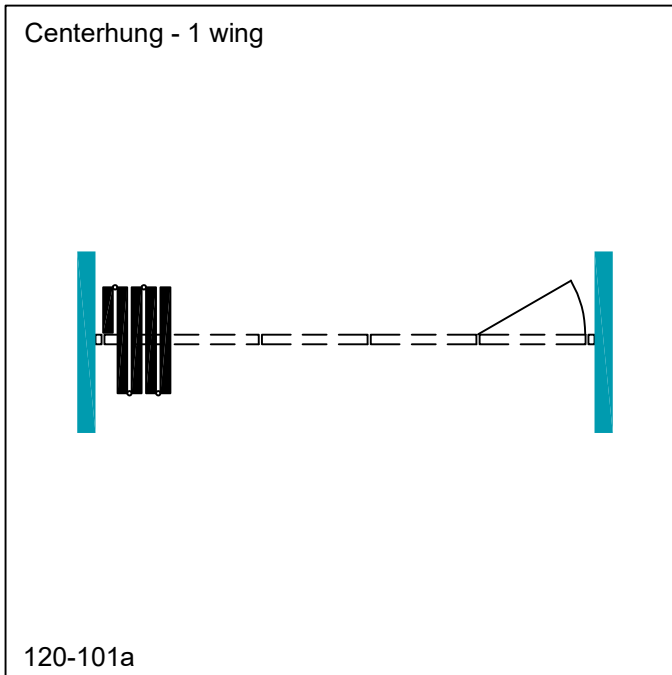


# Folding Partition SWG 120



**120-101**

Type Centerhung - 1 wing  
Centerhung - 2 wing  
Endfold - 1 wing  
Endfold - 2 wing

Scale 1:50  
Size in mm  
Date 2023-02  
Rev.nr.:

**SWG**  
Scandinavian Wall Group AB  
Trastvägen 2  
89791 Långviksmon  
Telefon +46 662-30265

e-mail: [info@swg.se](mailto:info@swg.se)  
homepage: [www.swg.se](http://www.swg.se)