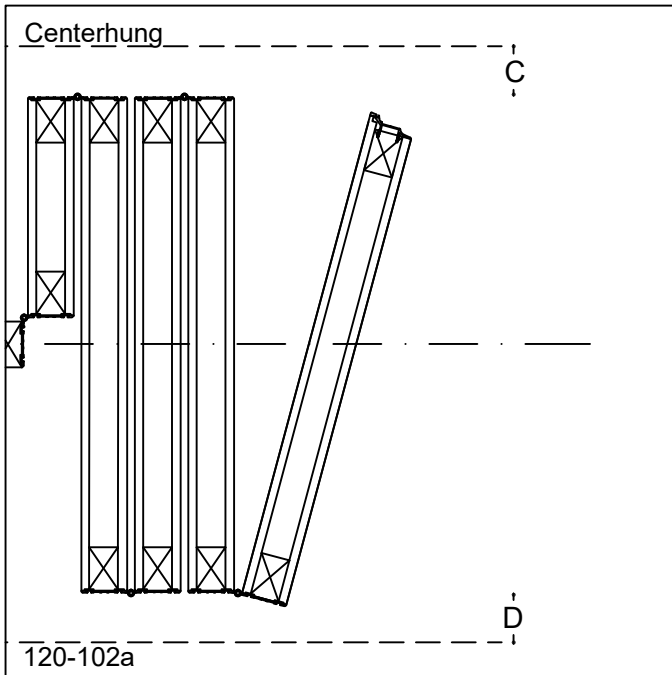


# Folding Partition SWG 120



## Type Overview

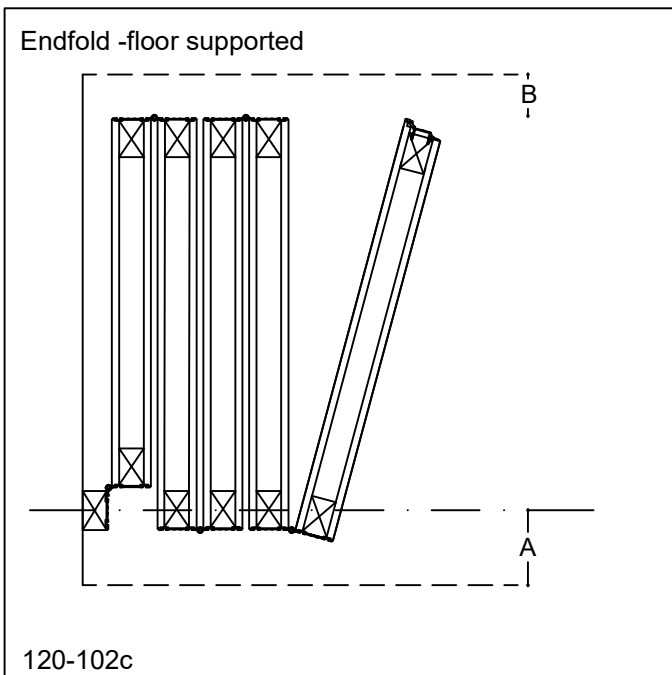
Sound - Fire - Thickness - Weight - Max.height

Rw	EI	Thickness	Kg/m <sup>2</sup>	Max.height
31	–	65 mm	19	3910 mm
37	–	65 mm	20	3910 mm
41	–	65 mm	28	3910 mm
44	–	65 mm	30	3910 mm
46	–	65 mm	39	3910 mm
48/50	–	87 mm	47	3100 mm
44	30/F60	87 mm	39	3000 mm
44	60	87 mm	39	3000 mm

Soundmeasured by. EN ISO 140/3

Fire resistance EI30 & EI60 is tested by DS 1051.1

120-102b



## Distance requierments when parking.

Minimum distance to the wall.

	A	B	C	D
65 mm thickness	155	100	100	100
87 mm thickness	185	130	130	130

## Calculation of the parking depth

EI30/EI60	Nr of panels. x 112 mm + 50 mm
31-46dB	Nr of panels. x 75 mm + 70 mm
48&50dB	Nr of panels. x 112 mm+70 mm

## Panel width

When calculating panel size, you need to consider the weight and its management. MAXIMUM weight pr. panel 85 kg is pr. panel

Please contact us if you have any specific wishes or requirements at: [info@swg.se](mailto:info@swg.se)

120-102d

# 120-102

Type Centerhung / Endfold  
Type Overview

Distance requierments when parking

Scale  
Size in mm  
Date 2023-02  
Rev.nr.:

**SWG**  
**Scandinavian Wall Group AB**  
Trastvägen 2  
89791 Långviksmon  
Telefon +46 662-30265

e-mail: [info@swg.se](mailto:info@swg.se)  
homepage: [www.swg.se](http://www.swg.se)