

The HELLA logo is positioned in the top right corner. It features the word "HELLA" in a bold, black, sans-serif font. The letter "E" is stylized with three horizontal bars: a yellow bar on top, a red bar in the middle, and a blue bar on the bottom.

**HELLA**

The background of the advertisement is a photograph of a terrace and garden. The terrace has a dark grey, textured surface. The garden below is a mix of green grass and a paved area. The sky is a pale, overcast grey. A large, semi-transparent yellow and orange graphic element is overlaid on the right side of the image, extending from the top right towards the bottom right.

# **PROTECTION AND SHADE**

Terrace & Garden

# CONTENTS

<b>Perfectly roofed</b>	6
Terrace roofings overview	
<b>VENTUR</b>	8
Bioclimatic pergola VENTUR side and VENTUR free	
<b>SINTESI</b>	14
The innovative pergola SINTESI FREE and TERRA side	
<b>ELEGANZA</b>	20
Simple elegance	
<b>Quality in detail</b>	22
Technical highlights Terrace roofings	
<b>Over-glass and under-glass awnings</b>	26
Mediterranean lightness SOLANYA and SOLEYA	
<b>Versatile and timeless</b>	30
Awnings overview	
<b>PAN 7040</b>	32
Sun protection in upright format	
<b>C2</b>	34
Subtle sun shade	
<b>CLEO</b>	36
A lot of shade in an elegant form	
<b>VIVA</b>	38
Create your free space	
<b>AREIA</b>	40
Beautiful and versatile	
<b>Quality in detail</b>	42
Technical highlights Awnings	
<b>ONYX</b>	48
The Smart-Home-System from HELLA	
<b>The World of HELLA</b>	54
Premium quality for generations	





# TERRACE ROOFINGS

# PERFECTLY ROOFED

Due to their robustness and weather resistance, terrace roofings are the perfect alternative to umbrellas and awnings. HELLA pergolas are not only efficient sun protection, but also protect against rain and, depending on the equipment, against wind. The VENTUR and SINTESI models offer optimal roofing according to your needs and are available in all conceivable formats. New in the range since 2021 is the ELEGANZA pergola awning.



**VENTUR**  
Bioclimatic pergola  
with slat roof and  
optional vertical shading

**SINTESI**  
The innovative pergola with folding roof and  
optional vertical shading



**ELEGANZA**  
The elegant pergola awning with folding roof  
and optional Varioplus roller blind



# VENTUR

## Bioclimatic pergola

VENTUR is the bioclimatic pergola with adjustable aluminium slats and a horizontal roof. When closed, the slats form an optimal rain shelter. When the roof is opened, in addition to the shade, a cooling draught is created. This way, the terrace becomes an oasis of well-being even on hot summer days. Optionally dimmable LED lighting provides a pleasant mood light in the evening hours. With the vertical shading VENTUR SIDE, the pergola can be closed at the sides.



Variable water drains



LED lighting in the frame lights up the space underneath the pergola with a comfortable light.



Certified system statics

Limit sizes [mm]	
Maximum width	4 500
Maximum projection	6 000

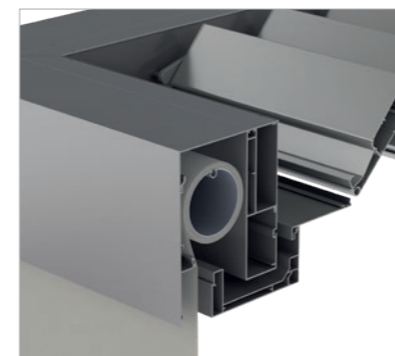


## VENTUR SIDE

### Vertical shading for integration

Perfectly integrated without a visible box with side-lined fabric. Straightforward, wind resistance up to Beaufort grade 6 and uncompromising function. VENTUR SIDE was specially developed for vertical shading without compromising the appearance of the structure.

Limit sizes [mm]	
Maximum width	6 000
Maximum height	3 000



Perfect integration of the roller tube into the structure of the VENTUR and can be retrofitted at any time



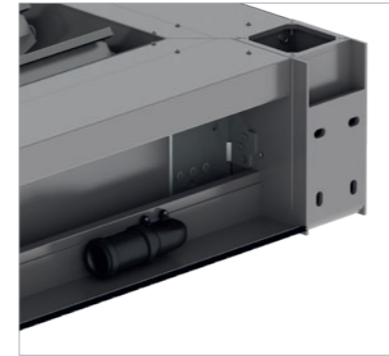
Gap-free cover guidance and high wind stability

# VENTUR FREE

## Reaching for the sky

The VENTUR FREE is a slatted roof without columns. It is integrated on or in existing structures or mounted between two walls. The extruded aluminium slats are adjustable from horizontal to 120° for individual regulation of solar radiation. Larger dimensions are also possible by combining with additional modules. Water flows over the slats into a rain gutter for connection on site.

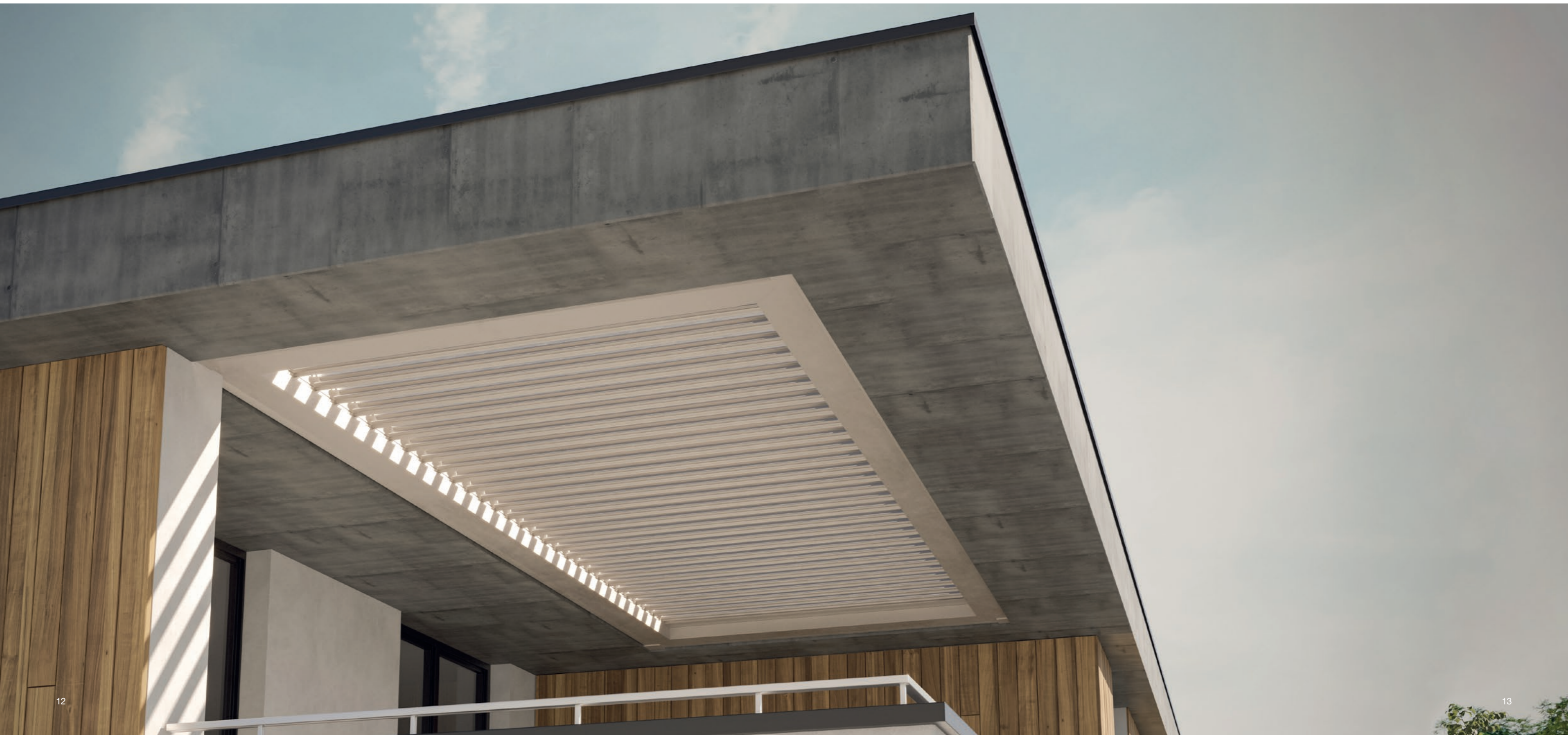
Limit sizes [mm]	
Maximum width	4 500
Maximum projection	6 000



Drainage via standard HT50 Pipe connection along the wall, for flexible positioning of the drainage at the on-site connection.



LED lighting in the frame lights up the space underneath the pergola with a comfortable light.



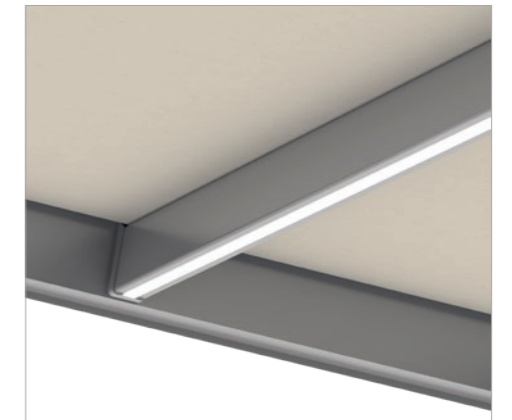
# SINTESI

## The innovative pergola

Discreet, sturdy and maximum elegance. The pergola SINTESI is an innovative model with precise and reliable guiding of the cover. When it is extended, it combines the lightness of the design with the outstanding properties of the cover. The cover is guided inside the guide rails and the mechanics thus disappears in the particularly slim structure. In this way, the water is also drained away concealed via the column. That is aesthetics with practical advantages: The retracted cover requires about 20 percent less space than with traditional constructions.

Limit sizes [mm]	SINTESI	SINTESI FREE
Maximum width	5 500	6 000
Maximum projection	6 500	5 110
Minimum inclination angle*	7°	7°

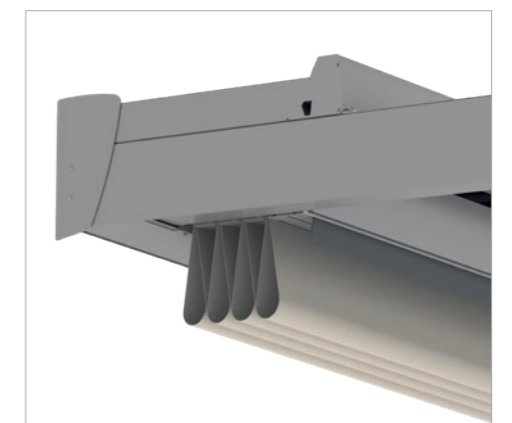
\* Equates to the absolute minimum inclination angle. Depending on the width and the sloping projection, the minimum inclination angle may be higher. (see price list)



LED lighting in the cover profiles lights up the space underneath the pergola with a comfortable light.

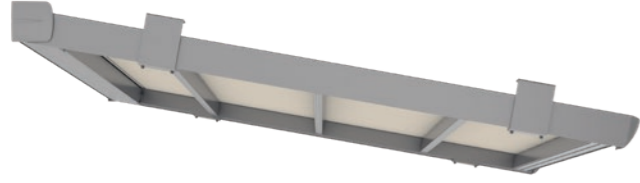


When retracted, the rain shelter is a perfect protection for the cover against weathering. Standard: Aluminium roof, optional: PVC roof.



Due to the special guidance of the cover profiles, the entire cover package requires 20 percent less space than conventional systems

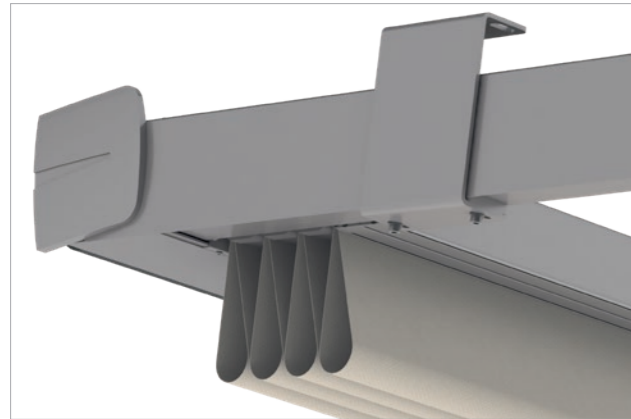




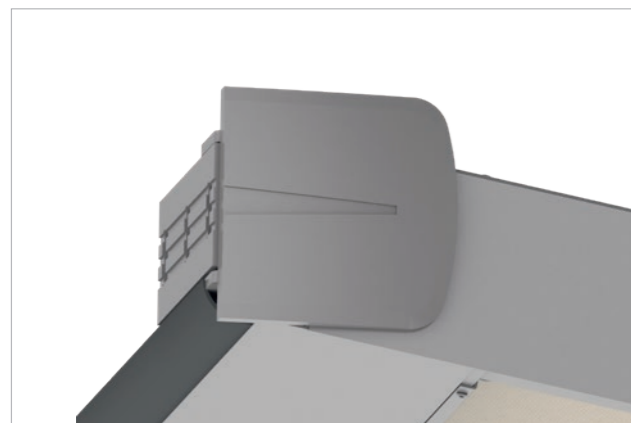
## SINTESI FREE

### Durable and existing

SINTESI FREE is the ideal solution for existing structures. Due to the small space required for the fabric drive mechanism, it fits perfectly and easily into existing structures. Thus it can be integrated easily from wall to wall in inner courtyards or in existing timber constructions.



Straight design with hidden screw connections.



Connection profile for the perfect connection to the wall



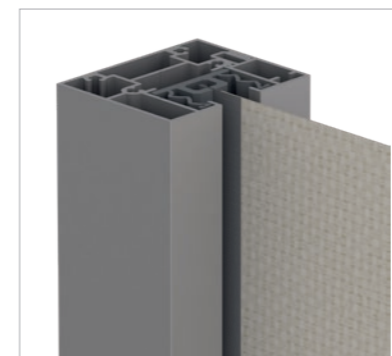


# TERRA SIDE

## Vertical shade dispenser

This vertical shade is designed to close off the side or front of pergolas, providing additional protection from sunlight as well as prying eyes. Also perfectly suitable for the direct installation with loggias, balconies or existing wall openings. The cloths for the TERRA SIDE are available in different designs.

<b>Box 115</b>	Limit sizes [mm]	
	Maximum width	4 500
	Maximum height	2 500
<b>Box 130</b>	Limit sizes [mm]	
	Maximum width	6 000
	Maximum height	3 000



Gap-free cover guidance and high wind stability



Easy to fit, also retrofitted to the SINTESI



# ELEGANZA

## Simple elegance

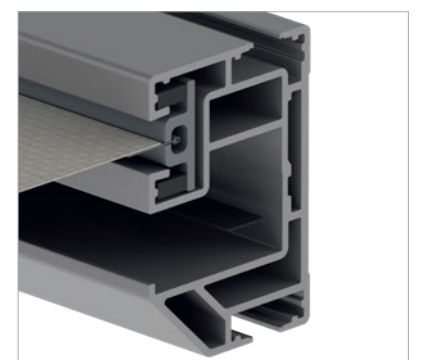
Sturdy like a pergola, slim and elegant like an awning. The ELEGANZA can be easily mounted on walls, ceilings or rafters. In the protect version, the fabric is guided without gaps along the sides in a special profile for increased wind stability. If desired, inconspicuous LED strips in the profiles provide atmospheric, indirect light. A motorised Varioplus roller blind can also be mounted between the rigid columns for vertical shading.



Track-guided Varioplus roller blind



LED in cassette and guide rails



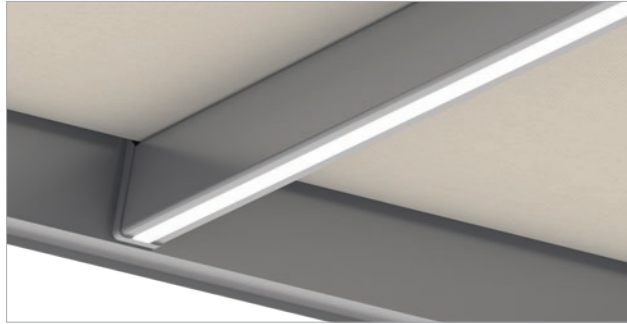
Optional gap-free fabric guide

Limit sizes [mm]	ELEGANZA	ELEGANZA protect
Maximum width	6 000	6 000
Maximum projection	5 500	5 500

# QUALITY IN DETAIL

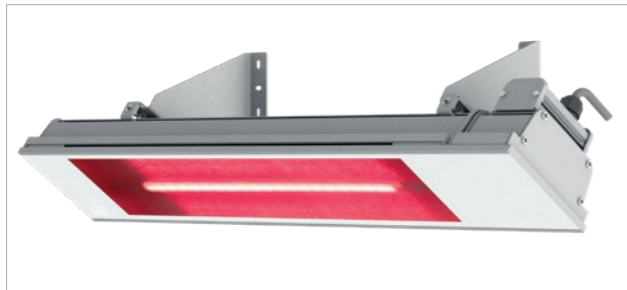
## Technical highlights

### LED LIGHTING



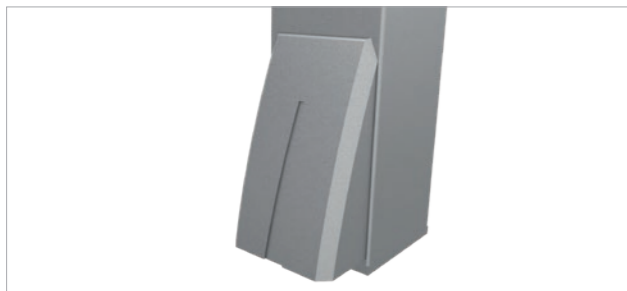
The LED lighting in the cover profiles brings the mood light to where it is needed: into the room below the pergola.

### RADIANT HEATER



The infrared radiant heater turns patio covers into an oasis of well-being on cool evenings. Available as ceiling mounting for VENTUR, as well as wall mounting for ELEGANZA and SINTESI.

### WATER DRAINAGE



The water is discharged concealed via the column.



A close-up photograph of a window frame. The window is partially open, showing a white frame and a white awning. The awning is a bright yellow color with horizontal slats. The background is a bright, overcast sky. The text "OVERGLASS AND UNDERGLASS AWNINGS" is overlaid in white on the left side of the image.

# OVERGLASS AND UNDERGLASS AWNINGS

# SOLEYA AND SOLANYA

## Two for all cases



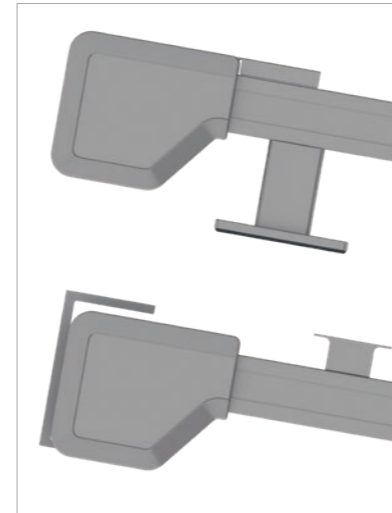
Limit sizes [mm]	SOLANYA	SOLEYA (protect)
Minimum width – single unit	1 420	1 420
Maximum width – single unit	4 500	6 000
Maximum width – coupled	9 000	10 000



## SOLANYA

**Mediterranean lightness**

SOLANYA is the perfect awning for shading glass roofs. It can be mounted on or under the glass roof and blends inconspicuously into the overall appearance thanks to its slim construction and small box size.



Small box size, 151×131 mm with intelligent spring mechanism for optimum fabric tensioning

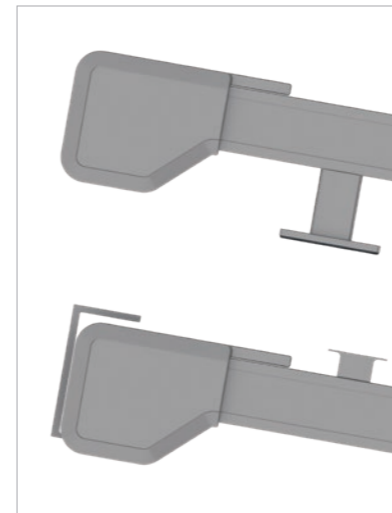


Stable mounting brackets with integrated sound insulation and waterproofing

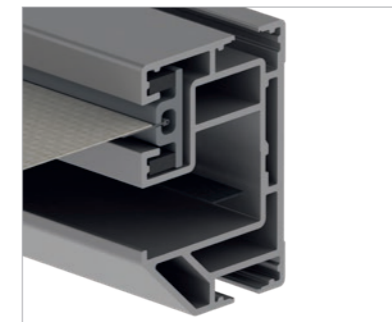
## SOLEYA

**The best under the sun**

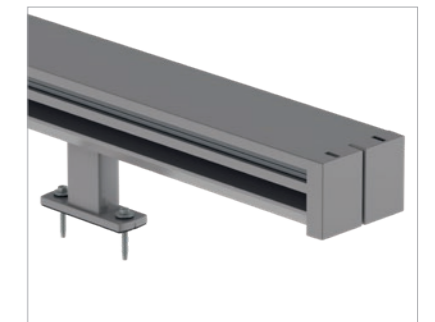
Due to its robust construction, SOLEYA is suitable for shading large glass roofs on terraces with an area of up to 30 square metres. It can be used as an on or under glass awning. With the under-glass version, integrated and dimmable LED strips provide an atmospheric ambience on request. In the protect version, the fabric is guided along the sides, which guarantees a gap-free appearance and high wind stability.



Small box size, 253×156 mm with optional LED



Gap-free fabric guide in the protect version



Double guiderail with Unit combination

# AWNINGS

HELLA





# VERSATILE AND TIMELESS

## Cassette awnings

HELLA cassette awnings are protected from the weather when retracted. With elegant shapes and a wide choice of fabrics, the PAN, C2 and CLEO models blend seamlessly into the architecture. The awnings can be crank and motor driven and equipped with a radio control.



### PAN 7040

Cubic design cassette awning – linearly beautiful and uncompromisingly functional.



### C2

The modular and modern awning with flat box



### CLEO

Awning variety in the elegant look of an oval cassette



### VIVA

The open awnings VIVA plus and VIVA super with many functions



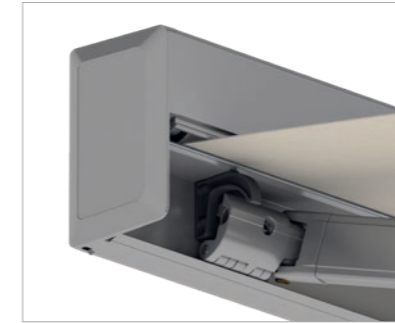
### AREIA

The all-round awnings AREIA 7040 and 6030 with superior technology

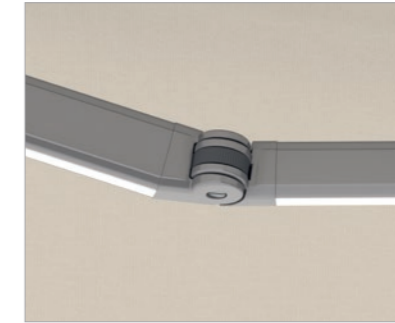
## Open and half-open awnings

The awning models from the VIVA and AREIA series round off the range. They are used wherever roof overhangs or balconies are used as weather protection or only a simple cover is required. Like all HELLA awnings, the elegant shade dispensers are made to measure and can be driven by crank or motor.





Flush wall mounting without visible brackets



Folding arm with hidden high-strength pull tape, optionally available with integrated LED lighting



Stable connection to the front rail

# PAN 7040

## Sun protection in upright format

PAN 7040 is an elegant and extravagant awning, with a straight-line aesthetic and is furthermore uncompromisingly functional. It rolls up towards the top and is then completely hidden in an uprightly mounted, plain box. For puristic architecture concepts and people with a special design standard, PAN 7040 is the custom-made sun and weather protection that becomes a stylish outdoor light source when it is provided with LED lights flushly integrated in the folding arms.

Limit sizes with sloping projection [mm]	1500	2000	2500	3000	3500	4000
Minimum width – single unit	2 170	2 670	3 170	3 670	4 170	4 670
Maximum width – single unit	7 000	7 000	7 000	7 000	7 000	7 000





# C2

## Subtle sun shade

A characteristic feature of this awning is its elegant, very flat box in which the fabric and technology are completely stowed away. The C2 is a powerful, sun shade that impresses with its functional and uncompromising modern design. This awning is modular linkable and perfectly suitable to shade large surfaces. If it is equipped with a Varioplus roller blind, it can also vertically define free space and provide protection.



Torsionally rigid cassette awning due to one-piece fabric box profile, optimum wall connection



The tilt joint arm bearing with anti-lift device ensures safe closing behaviour and prevents the awning from swinging up in gusts of wind.



Optional Varioplus roller blind elegantly integrated in the drop-out profile, for additional sun and privacy protection

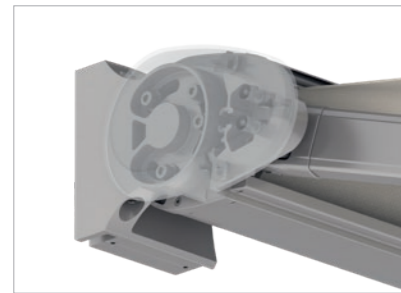
Limit sizes with sloping projection [mm]	1500	2000	2500	3000	3500	4000
Minimum width – single unit	2 000	2 500	3 000	3 500	4 000	4 500
Minimum width – coupled	4 000	5 000	6 000	7 000	8 000	9 000
Maximum width – single unit	7 000	7 000	7 000	7 000	7 000	7 000
Maximum width – coupled	14 000	14 000	14 000	14 000	14 000	14 000



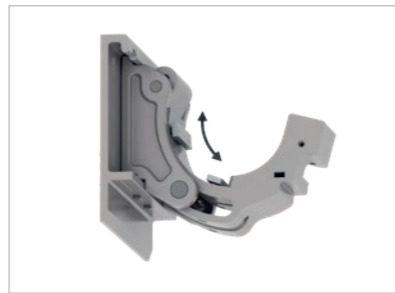
# CLEO

## A lot of shade in an elegant form

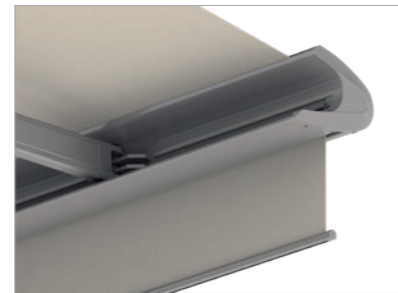
The slim, nicely shaped construction, whose oval cassette enables a space saving installation, seems to hover, when it is nearly weightlessly opened or closed. Exterior brackets for wall and ceiling installation, as well as its lightweight construction make this awning exceptionally flexible. The CLEO is visually and statically a masterpiece of modern awning architecture.



Large tilt range  
CLEO 5530 with motor drive  
Wall mounting (6° to 65°)  
Ceiling mounting (5° to 80°)



Simple tilt adjustment  
for CLEO 7030 (5° to 45°) and  
CLEO 7040 (5° to 40°)



Optional Varioplus roller blind  
integrated in the front profile of  
CLEO 7040, for additional sun and  
privacy protection

CLEO 7040	Limit sizes with sloping projection [mm]	1500	2000	2500	3000	3500	4000
	Minimum width – single unit	2 100	2 600	3 100	3 600	4 100	4 600
	Maximum width – single unit	7 000	7 000	7 000	7 000	7 000	7 000

CLEO 7030	Limit sizes with sloping projection [mm]	1500	2000	2500	3000	3500	4000
	Minimum width – single unit	2 100	2 600	3 100	3 600	-	-
	Maximum width – single unit	7 000	7 000	7 000	7 000	-	-

CLEO 5530	Limit sizes with sloping projection [mm]	1500	2000	2500	3000	3500	4000
	Minimum width – single unit	1 930	2 430	2 930	3 430	-	-
	Maximum width – single unit	5 500	5 500	5 500	5 500	-	-



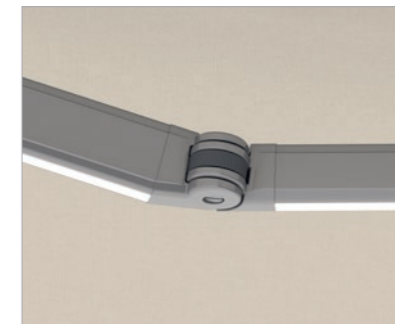
# VIVA

## Create your free space

The VIVA plus and VIVA super awnings adapt to any architecture and offer many extras. The VIVA plus model variant is perfected with a roof and the VIVA super variant additionally with a cloth shell profile. It protects the awning fabric from moisture. With the crank (Variomatic) or motor (Variotronic), the angle of inclination can be conveniently adjusted on the VIVA models (depending on dimensions), even if it is already fitted. A look at the available options shows: A VIVA can do almost everything.



Lateral view with stable arm support and optionally available central inclination adjustment.



The articulated arm with concealed, high-strength pull cord and LED optimally illuminates the space under the awning.



Optional Varioplus roller blind integrated in the drop-out profile, as additional sun and privacy protection



**VIVA super 7040**  
with roof and fabric shell profile

Limit sizes with sloping projection [mm]	1500	2000	2500	3000	3500	4000
Design maxima	1 490	1 740	1 990	2 240	2 490	2 740
Minimum width – single unit with motor	1 980	2 480	2 980	3 480	3 980	4 670
Minimum width – coupled motor	4 040	5 040	6 040	7 040	8 040	9 340
Maximum width – single unit	7 000	7 000	7 000	7 000	7 000	7 000
Maximum width – coupled	14 000	14 000	14 000	14 000	14 000	14 000

# AREIA

## Beautiful and versatile

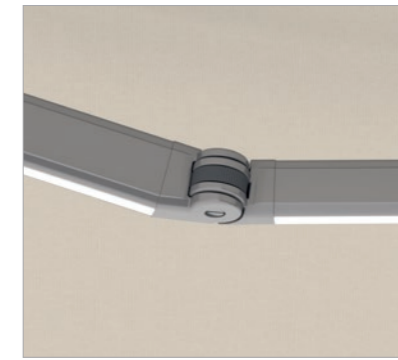
The AREIA all-round awning scores with solid technology. The details are elegantly designed, from the fabric and arm bearing to the folding arms. The profile is narrow, the angle of inclination adjustable and the stability enormous.

The **AREIA 7040** model can be coupled on request, can be equipped with LEDs and protects against unwanted light and low sun with the optional Varioplus roller blind.

Varioplus roller blind protects against unwanted glances and low sun. **AREIA 6030** is available as a basic model with valance only and in the three colors RAL 9006 white aluminium, RAL 9016 traffic white and RAL 7016 anthracite grey. The 6030 is a quality awning with a convincing price-performance ratio.



Harmonious design with continuous contours



Articulated arm with concealed, high-strength pull cord, optionally with integrated LED lighting for AREIA 7040.



Optional Varioplus roller blind elegantly integrated in the drop-out profile, for additional sun and privacy protection

AREIA 7040	Limit sizes with sloping projection [mm]	1500	2000	2500	3000	3500	4000
	Minimum width – single unit	2 080	2 580	3 080	3 580	4 160	4 660
	Minimum width – coupled	4 120	5 120	6 120	7 120	8 100	9 280
	Maximum width – single unit	7 000	7 000	7 000	7 000	7 000	7 000
	Maximum width – coupled	14 000	14 000	14 000	14 000	14 000	14 000

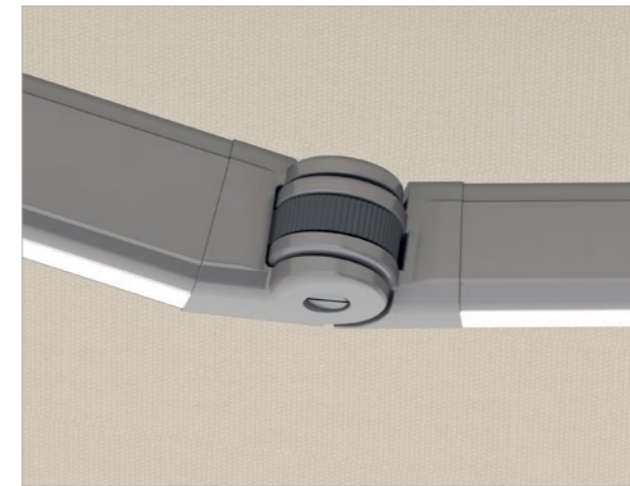
AREIA 6030	Limit sizes with sloping projection [mm]	1500	2000	2500	3000	3500	4000
	Minimum width – crank	2 140	2 540	3 060	3 540	-	-
	Minimum width – with motor	2 070	2 470	2 990	3 470	-	-
	Maximum width – single unit	6 000	6 000	6 000	6 000	-	-



# QUALITY IN DETAIL

## Technical highlights

- Drop forged aluminium for highly loaded joints
- Hightech pull cords and chains for the awning arms
- Internal springs with noise damping
- Stainless steel screws in Teflon bushes
- Galvanised and powder-coated steel components
- profiles made of extruded aluminium



### Especially stable

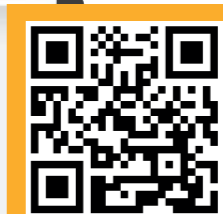
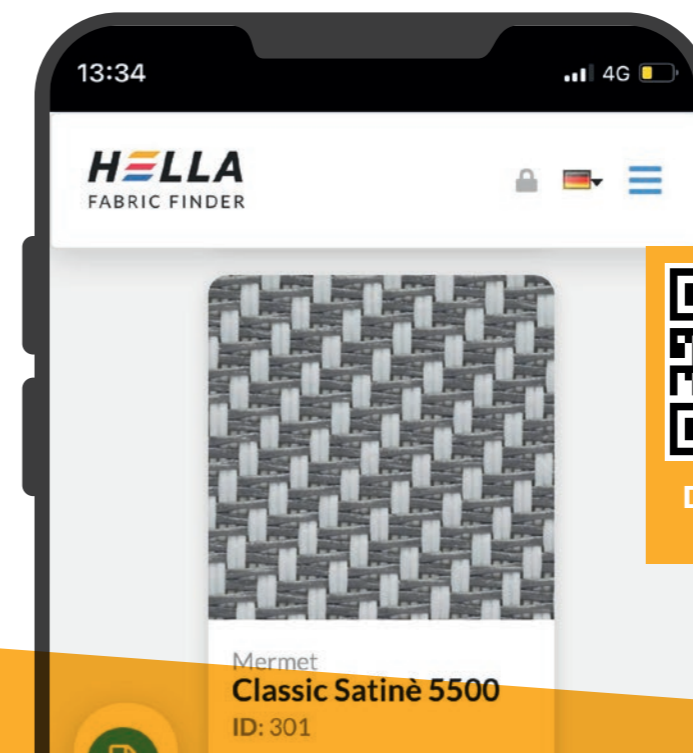
HELLA awnings appear light and floating, almost as if they were weightless. Nevertheless they are considered to be one of the most stable solutions on the market. Slim, well-designed constructions that can be installed in a space-saving and flexible way, hide the latest technology.

The hidden high-strength pull cable transfers the spring force to the folding arm and awning cover by means of noise-insulated special springs: The pull strap is very durable and has a high resistance against abrasion, moisture, UV radiation and chemicals.

### Well considered and really convenient

With many good ideas and convenient solutions HELLA awnings make you want to enjoy life outdoors:

- LED lighting that is artfully integrated in the folding arm
- Automatic wind, sun and rain warning devices that automatically retract the cover
- Heater modules for the in-between season
- A roller blind that offers vertical visual cover and sun protection



DISCOVER  
NOW

### A very special cover

The latest generation of functional textiles provide shade, reflect the sun rays, are weatherproof, tear-resistant and permeable to air. Find the right fabric now with HELLA's FABRIC FINDER.

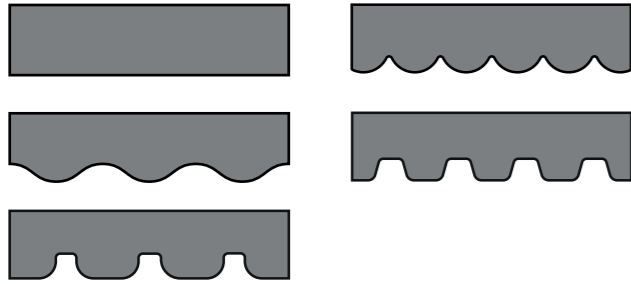
# Equipment

## Linkage



HELLA awnings can also be coupled to achieve larger overall widths; Available for AREIA 7040, VIVA super, VIVA plus and C2

## Valance



Individual valance shapes and bordering strips matching the awning cover

## Varioplus roller blind



Integrated in the front rail, as additional sun protection and visual cover, can be lowered to 2500 mm depending on awning, drive and cover selection; available for AREIA 7040, CLEO 7040, VIVA super, VIVA plus and C2

## LED lighting

The awning lighting is optionally available for the awnings AREIA 7040, VIVA super, VIVA plus, CLEO 7040 and PAN 7040. Integrated at the bottom of the folding arms, warm-white ambient light illuminates the place below the awning. LEDs are dimmable, have a long lifespan and are extremely energy-efficient. You can conveniently control the awning lighting via radio control. The cables are to the greatest possible extent discreetly hidden in the construction of the awning.

A woman is shown in profile, looking towards the left. She is holding a smartphone in her right hand. The background is a living room with a window, a chair, and a plant. The image has a yellow overlay on the left side.

# SMART-HOME- SYSTEM





# ONYX

## The Smart-Home-System from HELLA

The Smart-Home-System ONYX.HOME was specially developed for the operation of sun protection products. Venetian blinds, outdoor blinds, awnings, and roller shutters are conveniently controlled by smart phone, tablet, or fully automatic. All products are graphically displayed in the free ONYX app and can be visually identified by colors.

The sun shading products can also be controlled by voice control, push-buttons, by the ONYX.CLICK hand-held radio transmitter, or the ONYX.SWITCH wall-mounted radio transmitter. The HELLA ONYX system can be connected to all common smart home systems and allows the sun to get in only where it is wanted.

### For a smart home

Smart playing with the sun! Be it a room flooded with light in winter or a shaded terrace on a hot summer's day – with the ONYX.HOME control system, it has never been easier to guide the daylight and make optimum use of it within your own four walls. Digital, automatic, and in real time!

HELLA | ONYX.HOME

### Control system for offices, etc.

Whether it's an apartment building or a large office complex – ONYX.PRO from HELLA has the building's energy balance for architecture of any size under control. ONYX.PRO provides a uniform façade appearance and protects the sunshade from the influence of weather. In coordination with the electrical planner, HELLA takes over the pre-configuration and commissioning of the sun protection systems. More sun protection – less air conditioning!

HELLA | ONYX.PRO

# The components



DISCOVER  
ONYX.HOME



DISCOVER  
ONYX.PRO



## ONYX.APP

All sun protection products at a glance on your smartphone! With the ONYX.APP, controlling sun protection is child's play - whether at home or on the go. In addition, various weather and time scenarios as well as automatic programs can be easily created and automatically executed via the ONYX.APP.

## ONYX.CONNECTOR

The ONYX.CONNECTOR is plugged between the power supply and the existing motor and thus is perfectly suitable for the subsequent installation in existing or new buildings. It offers the easiest type of wiring to control a shading element via ONYX.



## ONYX.NODE

Each shading element is provided with a control unit ONYX.NODE that is connected in between the power supply and the existing motor. The control unit makes any individual shading element fit for the Smart-Home and offers the possibility of using a push button.



## ONYX.CENTER

The center box serves as an interface between the smart phone and the individual control devices and communicates via a wireless radio connection. It transmits radio commands bidirectionally so that the exact current position of the sun screen is displayed via the live feedback in the app.



reddot winner 2022



## ONYX.SWITCH and ONYX.CLICK

ONYX.SWITCH is the wall-mounted radio transmitter and ONYX.CLICK the hand-held radio transmitter for controlling sun shading products. This allows several sun shading systems to be combined and grouped into a total of five channels. A unique color per channel facilitates assignment. In addition, a favourite position can be saved for each channel. The two control units serve as an extension for the Centerbox, but can also be used without the Box in stand-alone operation.

## ONYX.WEATHER

The wind and sun sensor ONYX.WEATHER logs the weather influences such as wind speed, sun intensity and temperature on the facade. With the help of the sensor, the control system reacts quickly and adapts automatically to the weather.



## ONYX.TAG wind

The 3D wind sensor is an indispensable wind protection for every articulated arm awning. The ONYX.TAG wind is the smallest wind sensor available on the market and can be perfectly integrated into all existing awnings. The sensor is powered by a button cell battery and continuously measures the vibrations occurring on the awning in windy conditions. If the threshold value is exceeded, the awning is automatically retracted.

# THE WORLD OF HELLA





**The HELLA headquarters with plant** in Abfaltersbach, East Tyrol

**Alois Kraler**  
Founder of the company HELLA



## PREMIUM QUALITY FOR GENERATIONS

The company was established in the year 1959 in Abfaltersbach in Austria and has since been in the ownership of the Kraler family. From a small family-run business in the East Tyrol mountains, it has now become one of the leading companies in sun and weather protection technology. HELLA, as the only full service provider in the market, attaches great importance to everything being produced in-house. Technology, production, consulting and also installation if required – premium quality is the benchmark here. All products are manufactured individually to measure, and the in-built components are designed for robustness and long service life.

### A look at the whole room

Venetian blinds, roller shutters, awnings or pergolas - sun protection systems from HELLA are more than just smart shade givers. The intelligent systems play elegantly with light and shadows and create individual spatial experiences. With the products of the premium provider from Austria, you can control your personalised daylight profile in all internal and external spaces. Over and above that, the shading systems from HELLA also help in reducing energy consumption when equipped with weather sensors.

# SUSTAINABILITY TIMES THREE

## Ecological, economical and social

Sustainability is not just a fashionable word at HELLA. It has been lived by the owners for decades. Consequently acting in a sustainable way, means acting ecologically, economically AND socially sustainable. The company maintains relationships to customers, suppliers and employees on a long term basis. The processed slat belts at all outdoor blinds for example consist of 80 percent recycled aluminium. At its headquarters, HELLA has its own biomass heating plant and contributes to a hydroelectric power plant. The energy management principle "Saving, generating and stocking energy", that has been defined at the location of the company headquarters is constantly extended to further business locations. Sustainability is thus not only becoming an inner attitude but also a decisive criterion in regard to purchasing for our clients.



# EVERYTHING FROM A SINGLE SOURCE

Thanks to its innovative strength, HELLA, as a complete provider, offers a broad portfolio of customised sun protection solutions. Premium quality is the benchmark here. Whether refitting, refurbishment or new construction - HELLA has the right solution for every building project!



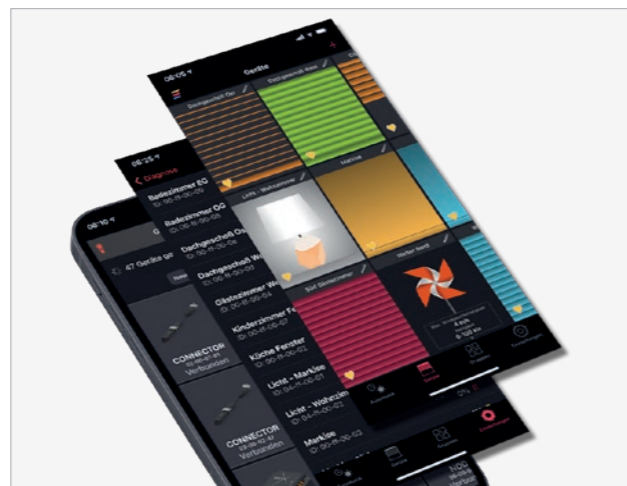
Terrace & Garden



Window & Façade



Build & Renovate



Control devices



**HELLA**

**Brochure | Terrace & Garden**

7540 0061\_EN

03/2023

Subject to modifications.