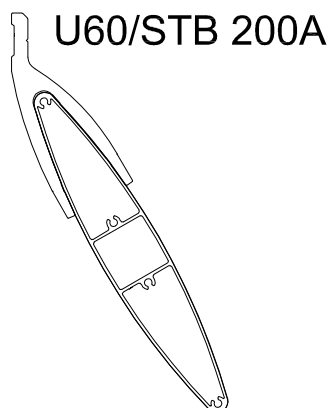
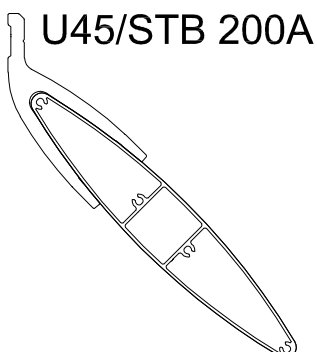
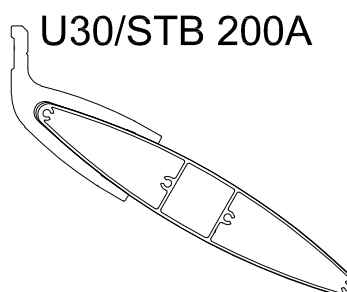
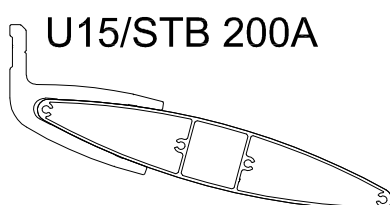
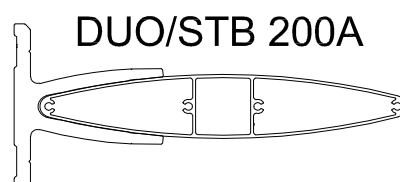
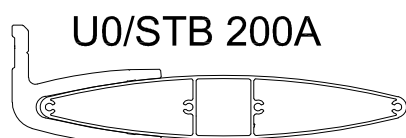
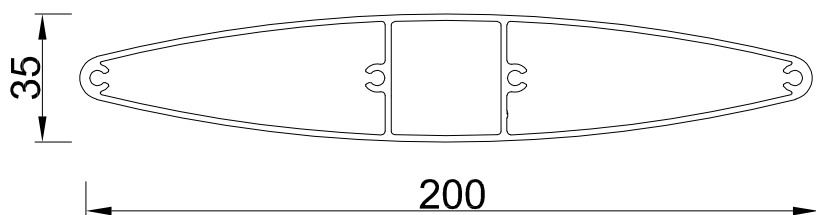


Profile STB 200A and Brackets



PRODUCT DATA SHEET FOR AIRFOIL LOUVRE – STB 200A

Profile pressed from aluminium alloy: grade 6060 or 6063 Condition T66 or T6

In accordance with PN-EN 755-9

Tolerance U.N.E. PN-EN 12020-2

Mechanical properties according to PN-EN 755-2

Chemical composition in accordance with the PN-EN 573-3 standard

Surface quality: Polyester powder coating in all RAL colours 60-80 µm, wood effect, Anodising 15-20 µm, mill finish

Maximum span between supports for STB 200A- 2.90 m

Standard lengths of profiles: 6,0 m

Other dimensions 4 - 7 m on request

MODIFICATION DATE
04.2020