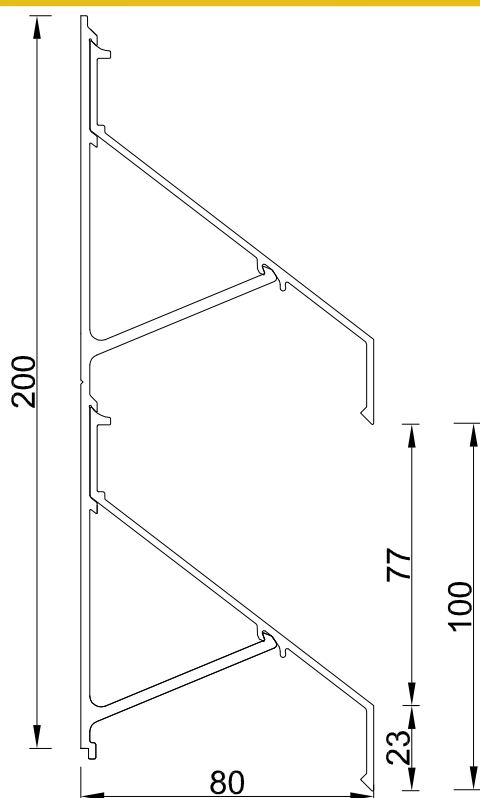
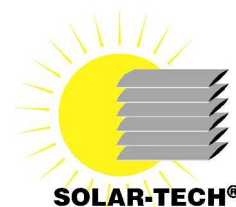
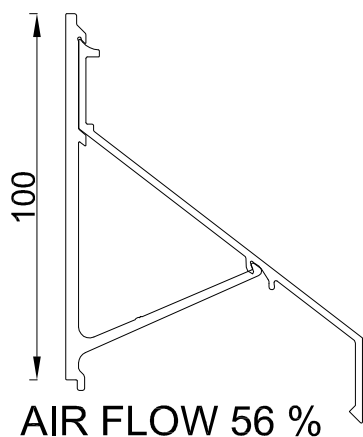
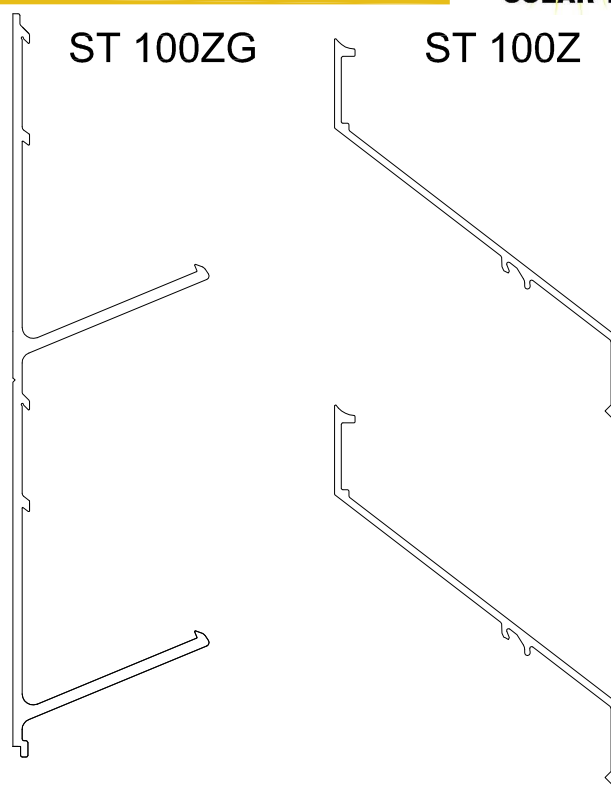


# Profile ST 100Z



ST 100ZG

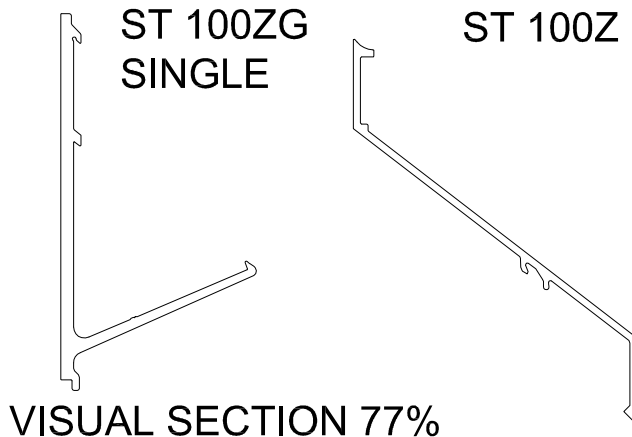
ST 100Z



AIR FLOW 56 %

ST 100ZG  
SINGLE

ST 100Z



VISUAL SECTION 77%

## PRODUCT DATA SHEET FOR TYPE Z PROFILES – ST 100Z

Profile pressed from aluminium alloy: grade 6060 or 6030 Condition T66 or T6

In accordance with PN-EN 755-9

Tolerance U.N.E. PN-EN 12020-2

Mechanical properties according to PN-EN 755-2

Chemical composition in accordance with the PN-EN 573-3 standard

**Surface quality:** Polyester powder coating in all RAL colours 60-80 µm, wood effect, Anodising 15-20 µm, mill finish

Width of the grips: standard 30 mm, double 60 mm

Maximum span between supports for ST 100Z - 1.60 m

**Standard lengths of profiles:** 6,0 m

Other dimensions 4 - 7 m on request

MODIFICATION DATE  
06.2018