



Nüsing Premium Glass –
for elegant insights



Transparency and Lightness



Individual – like at home

2

Stylish Partitioning

In the premium glass sector, an exclusive design combined with the most advanced technologies, a high level of stability and permanent sound absorption make the difference.

As excellent design elements with their customised colours, these elegant flatscreen surfaces adapt ideally and contribute to the high-class and elegant impact of the interior decoration.

A very pleasant lightness is supported by this transparency. The excellent, professional implementation enables an undisturbed, discrete use of the spaces created by mobile partitions.



3

Your wish is our mission!

The latest generation of glass walls presents innovative technology and a perfect design.

Illuminated elements for example create a sophisticated integration into the room concept with their varied colour selection and their elements with practical whiteboard function.

Optical and functional components are connected to one another in an ideal way. Almost any wish – even the most extraordinary ones – can be fulfilled – do not hesitate to challenge us!





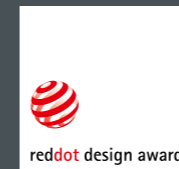
For every occasion and taste

Multifunctional

4



5

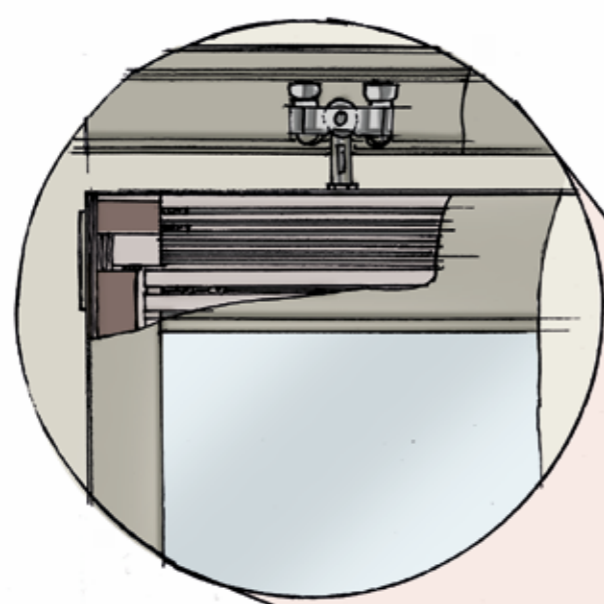


Premium Glass – The key data

- Sound absorption up to R_w, P 51dB pursuant to EN-10140-2
- Ball impact safety
- Reddot Design-Award 2011
- Maximum transparency value
- Flatscreen surface (no edging aluminium profiles)
- Individual colouring of the aluminium frame
- VSG glazing for maximum security

Nüsing Premium Glass – Technical details at a glance

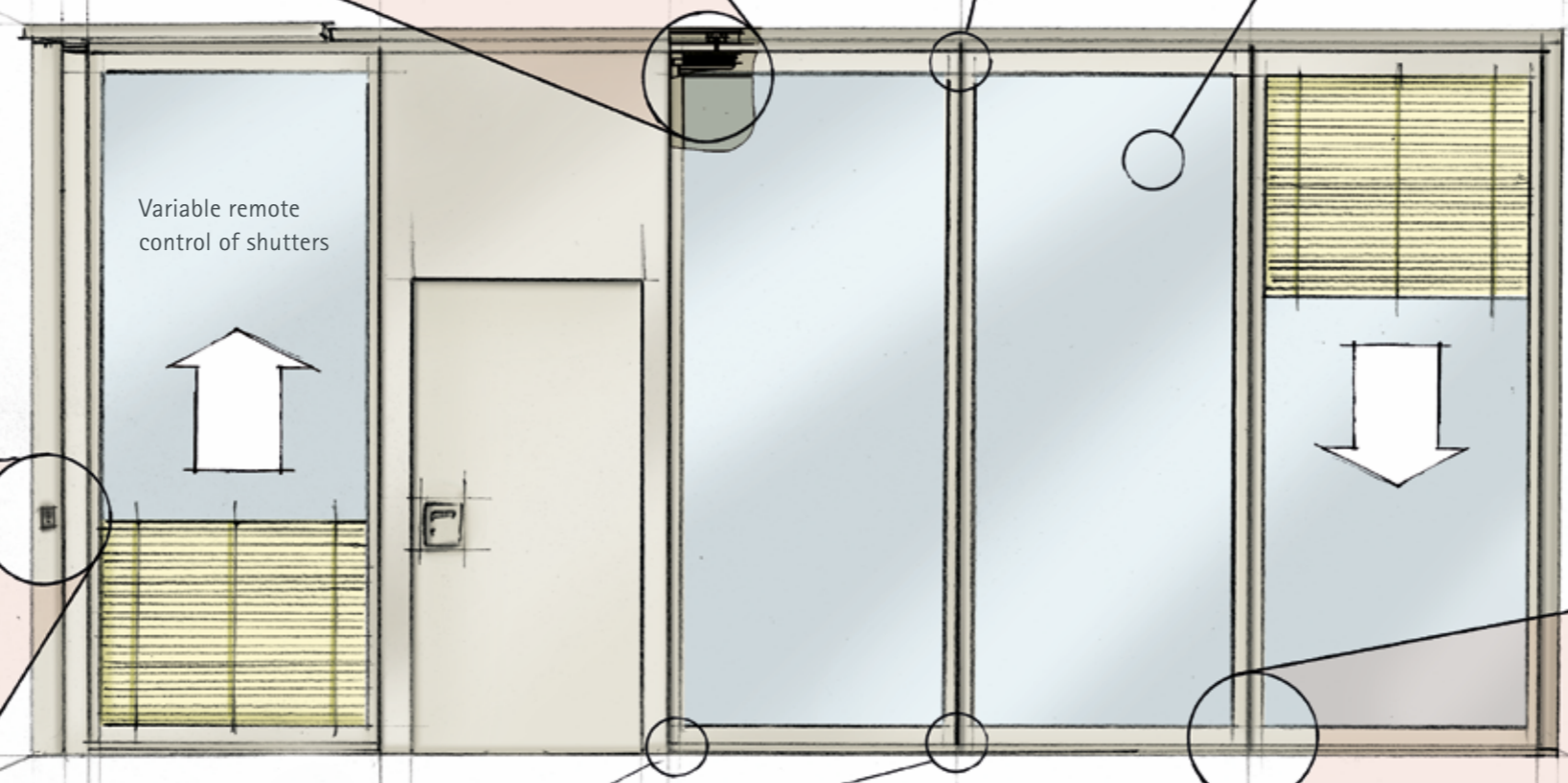
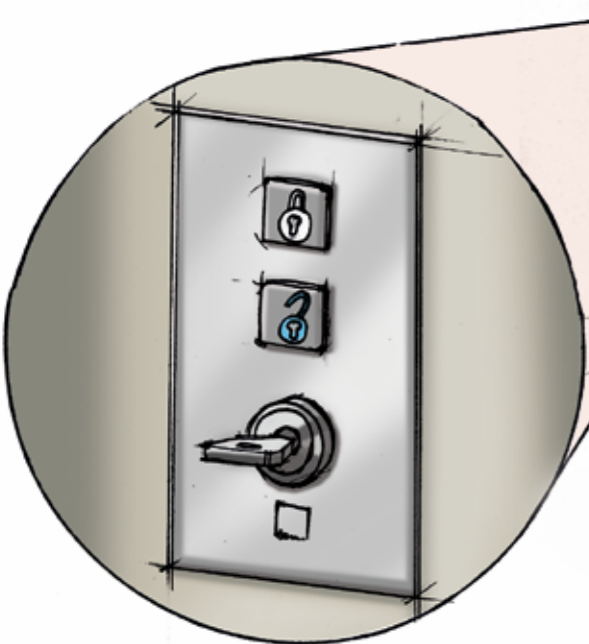
- Aluminium guide tracks with and without ceiling support angle
- Roller carriages for a flexible, optimum use of space resources and for the highest level of user comfort.



- Circumferential aluminium frame
- Top and bottom 100 mm each, lateral mouldings 50 mm each
- When two elements are put together, the vertical value will also be 100 mm (and thus give a symmetrical picture)

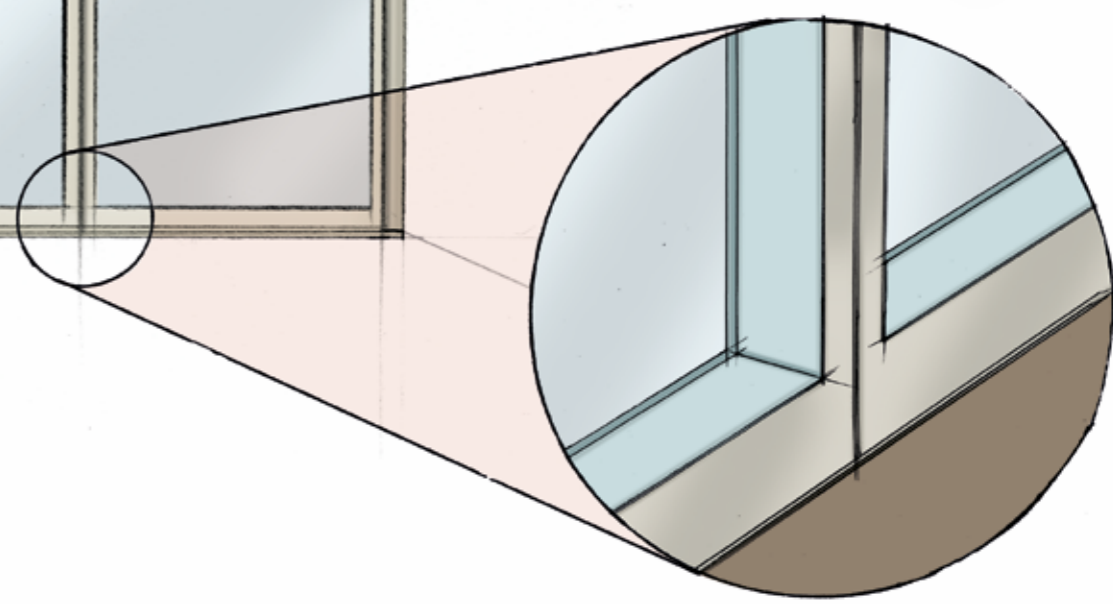
- Maximum transparency thanks to a minimal aluminium frame structure
- Very high sound absorption value R_w, P 51dB corresponding to the product's high quality level

- Control panel in flat/slim aluminium design
- Plant secured against unauthorised use using a key switch
- Simple operation thanks to LED symbols



- No ground sleeves
- No damage to the floor
- High level of stability thanks to a contact pressure of 2000N

- Flatscreen surface – no edging aluminium profiles
- High-class design
- No visible screws or brackets







10



11





Franz Nüsing GmbH & Co. KG
Borkstraße 5
48163 Münster (Germany)
Phone +49 (0)251 780010
Fax +49 (0)251 780018927
E-Mail info@nuesing.com
www.nuesing.com