

Nüsing Flexi Folding Wall –
probably the fastest room divider in the world.



Making more room has never been easier.

For those who want more transparency in their interior design, the Nüsing Flexi Folding Wall is exactly the right choice for you. It combines all the advantages of both a concertina door and a movable wall.

The glass panelled Nüsing Flexi Folding Wall actually achieves the near impossible, it acts as an effective room divider and meets a medium level requirement of sound insulation. And yet, it still allows natural light to flood into the rooms, creating a light pleasant atmosphere.



Charming and easy-to-use. The Flexi Folding Wall also meets the highest design requirements.



The ability to divide and yet still connect.

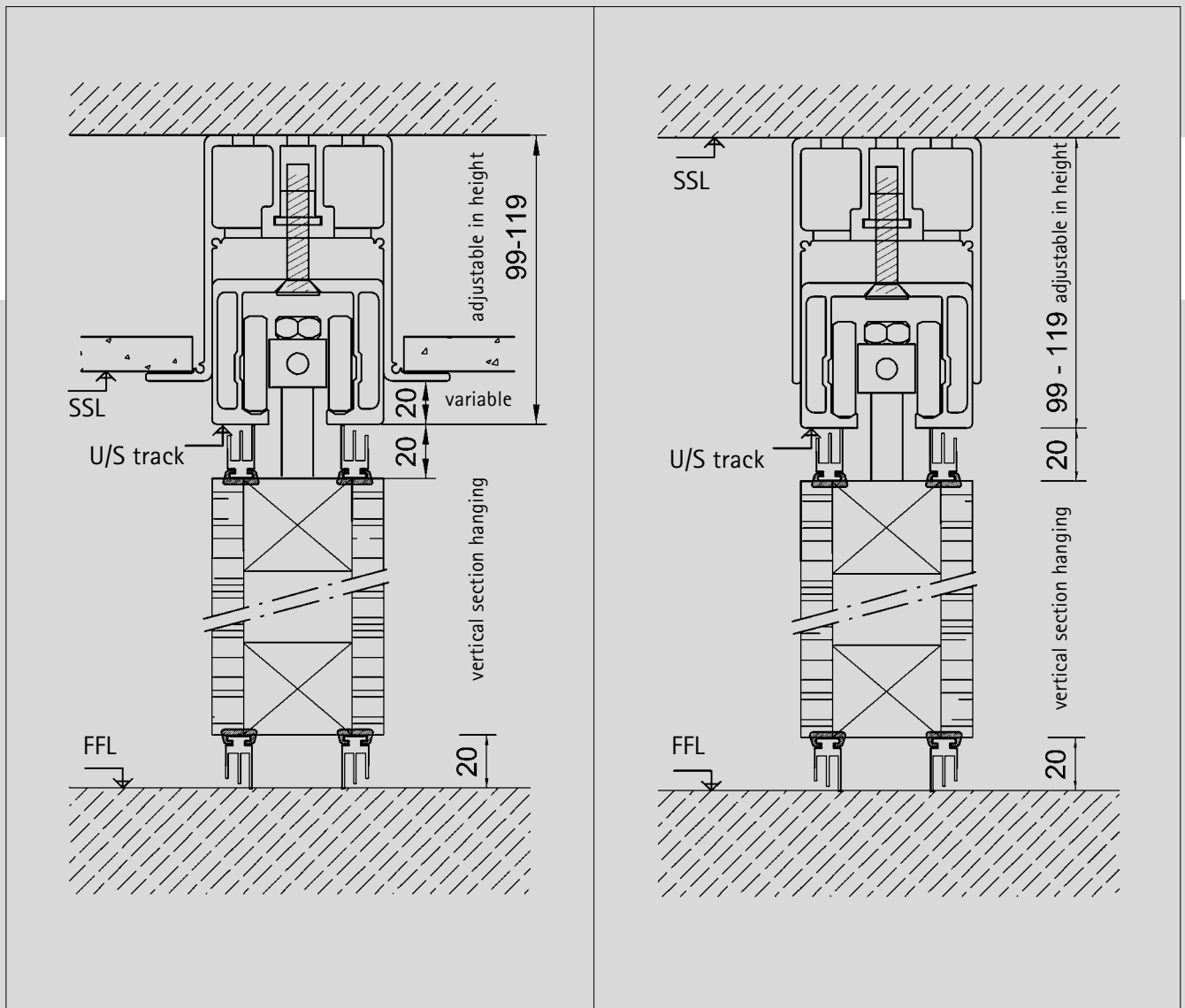
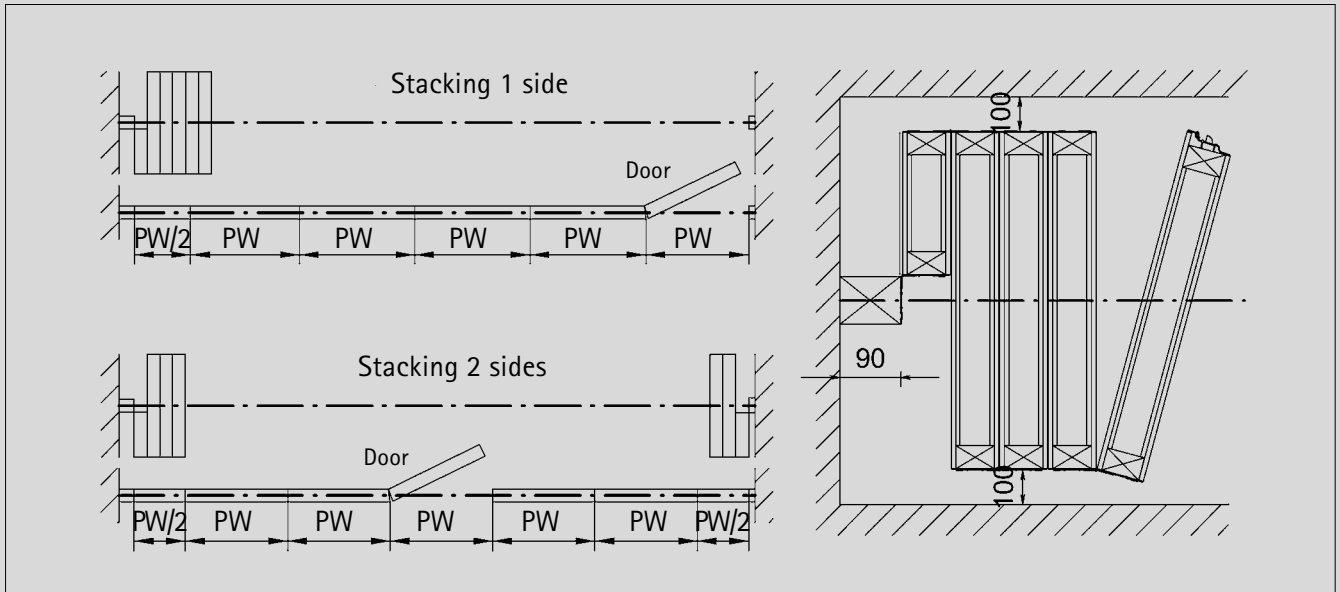
Every Nüsing Flexi Folding Wall is tailored individually to suit you, so let yourself be spoiled for choice!

We, at Nüsing, are on hand and take great care to advise you on everything from where best to position the door to which finish would best suit your décor and so on. Together we create the perfect finish, just what your room is waiting for!

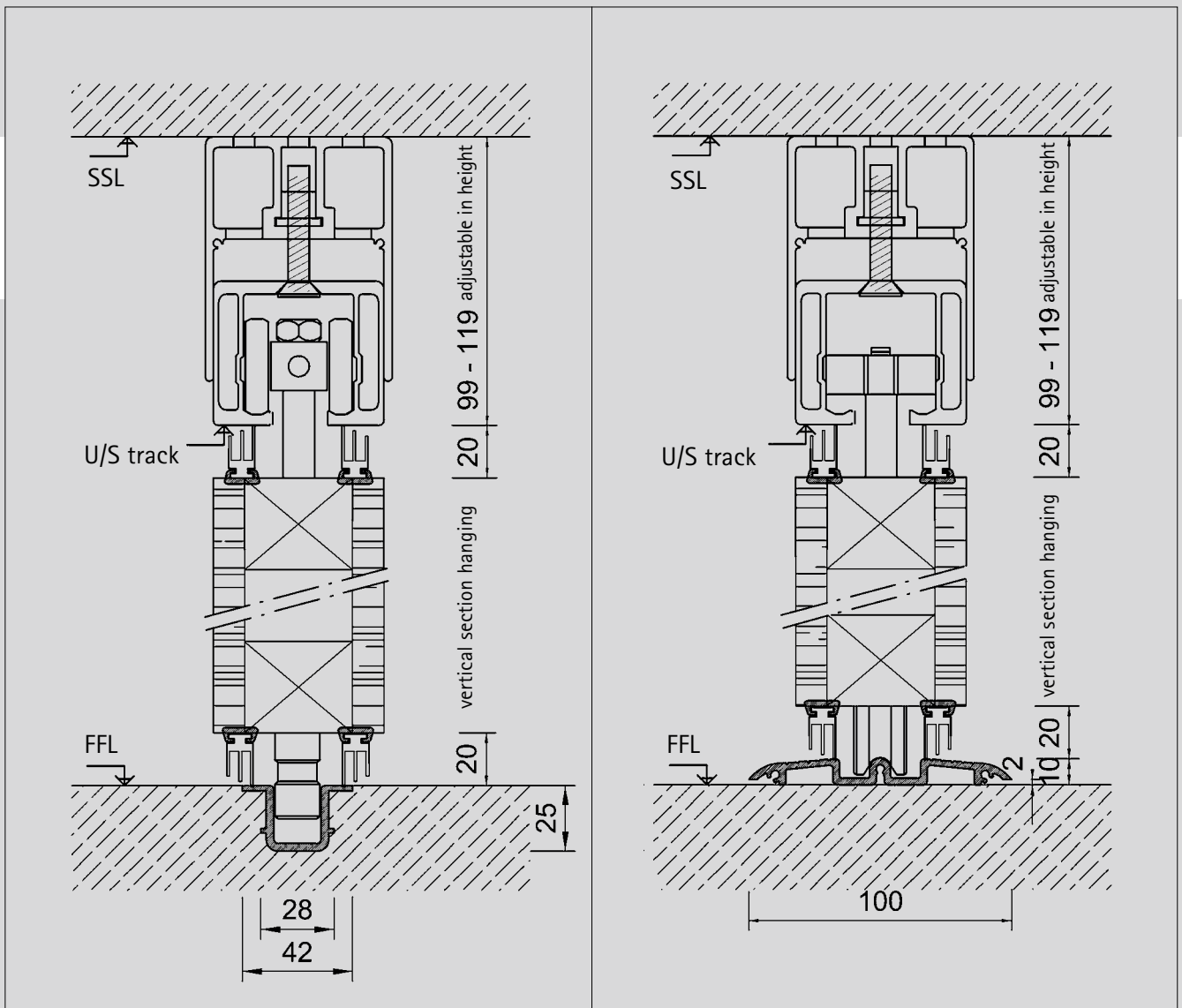
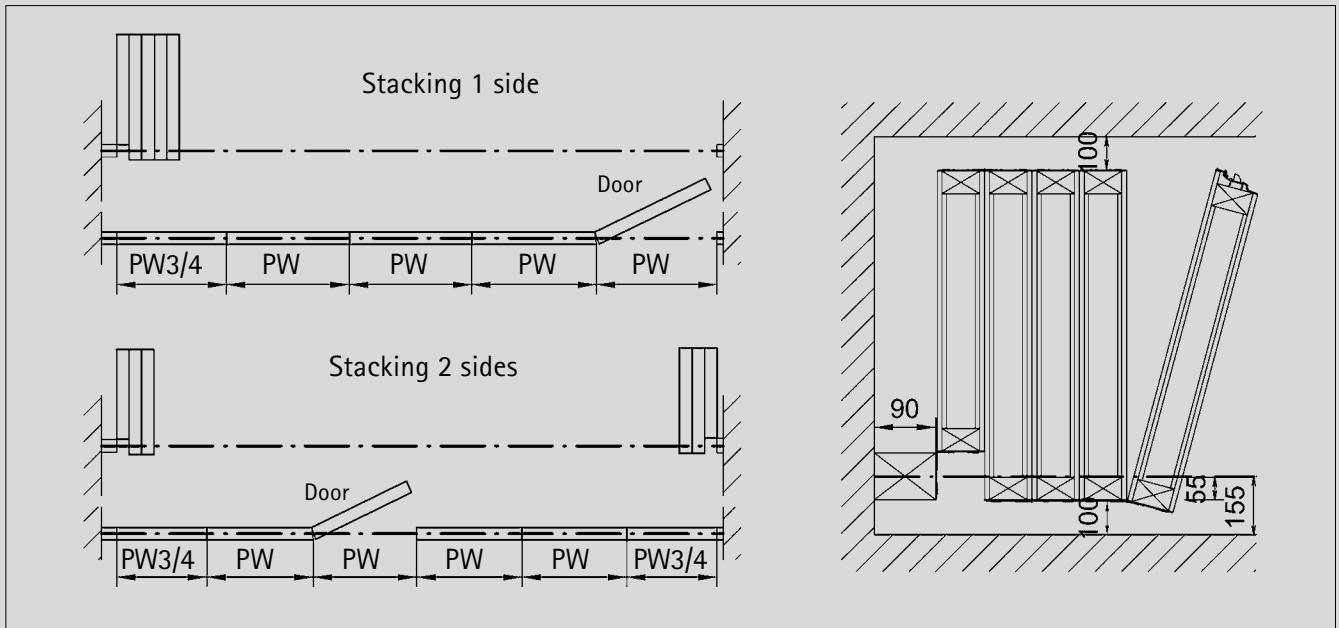
No project is too complex for the Nüsing Flexi Folding Wall - individually adapted to your needs.

The technology in detail

Central suspension



Off centre suspension
 (only possible with floor guide)





Technical Data

Construction

- Folding wall 65 mm thick.
Closes flat
- Panels locked against track by removable crank handle.
- Special seals to the top track and floor

Dimensions

- Max. width of each wing 5.000 mm
- Max. height of each wing 4.000 mm

Panels

- 2 x 10 mm high quality particle board E1/V20
- On peripheral wooden block frame
- Panel width 550-1000 mm tailored to overall wall width

Inter-panel joints.

- With aluminium hinges
- Vertical edges with EV 1 anodised aluminium profiles

Suspension

- In aluminium top track
- 65/71 mm wide, 99/119 mm high, powder coated, white, RAL 9010
- Ball bearing rollers trolleys
- Track concealment and ceiling support possible
- Supporting floor track available, if required

Door

- Each wall includes a door
- Standard door opening same as panel widths (up to max. 850 mm possible)
- With aluminium folding ring pull handles, lock with profile cylinder.
- Door on one side with single wing
- Door in the middle with two wings (2 doors in the middle possible)

Sound insulation

- R_w, P 30/36/39 dB (with glass panels max. 32 dB) – ca. 20-28 kg/qm, tested to DIN EN 20140-3

Glass version

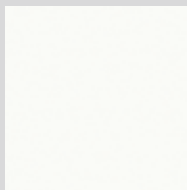
- 6,38 mm PVB laminated glass
- Without intermediate glazing bar:
Max. panel height 2.450 mm
Max. panel width 800 mm
- With intermediate glazing bar:
Max. panel height 2.950 mm
Max. panel width 800 mm

Finishes

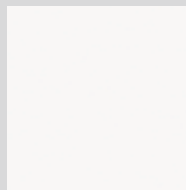
- Paint finish to RAL colours
- PVB laminated glass panels
- Melamine resin coated particle board (see colours below)

Finishes

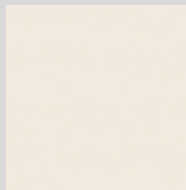
snow white
RAL 9016



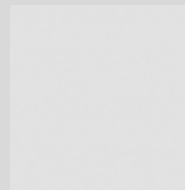
white
RAL 9010



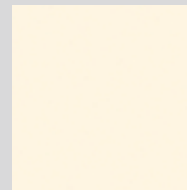
grey white
RAL 9002



light grey
RAL 7035



vanilla
RAL 1015



Due to printing reasons, small differences can occur from the actual product.



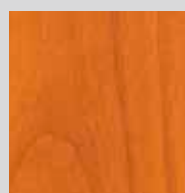
maple decor



oak decor



beech decor



cherry decor



Franz Nüsing GmbH & Co. KG
Borkstraße 5
48163 Münster
Germany
Telephone +49 (0)251 780010
Fax +49 (0)251 7800127
+49 (0)251 7800145
E-Mail info@nuesing.com
www.nuesing.com