

# SUN PROTECTION FOR CURTAIN WALLS

Fixscreen Minimal Curtain Wall 50

Fixscreen 150 Curtain Wall 60 [Project solution]



Fixscreen® 150 Curtain Wall 60



# WHY DO YOU NEED SUN PROTECTION?

Sufficient daylight contributes to comfortable living and working, and a general feeling of well-being. And so the choice for larger windows seems logical. But know that without sun protection the risk of overheating is just around the corner.

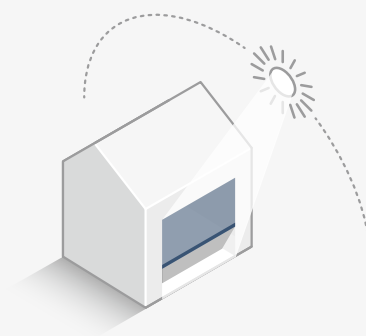
*“External solar shading is the most efficient way to enjoy pleasant indoor temperatures in summer and winter”*

## CUSTOMISED COMFORT IN EVERY SEASON

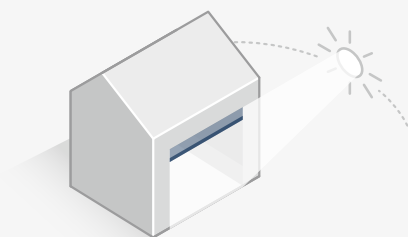
New building projects are increasingly becoming better insulated, with airtight finishing. Although this will reduce your energy bill, it will soon become unbearably hot indoors when the sun shines on large windows. And once you have heat indoors, it is very difficult to expel it from a well-insulated house.

This makes it vitally important to ‘control’ sunlight so that you can enjoy it to the fullest. For example, you could raise the external sun protection during the winter. Because then you do benefit from bringing in as much solar heat as possible to help warm up the interior. In the summer it is a must to let the screens down to keep the inside temperature under control. This also prevents annoying reflections, without disturbing the view of the outside.

### SUMMER



### WINTER

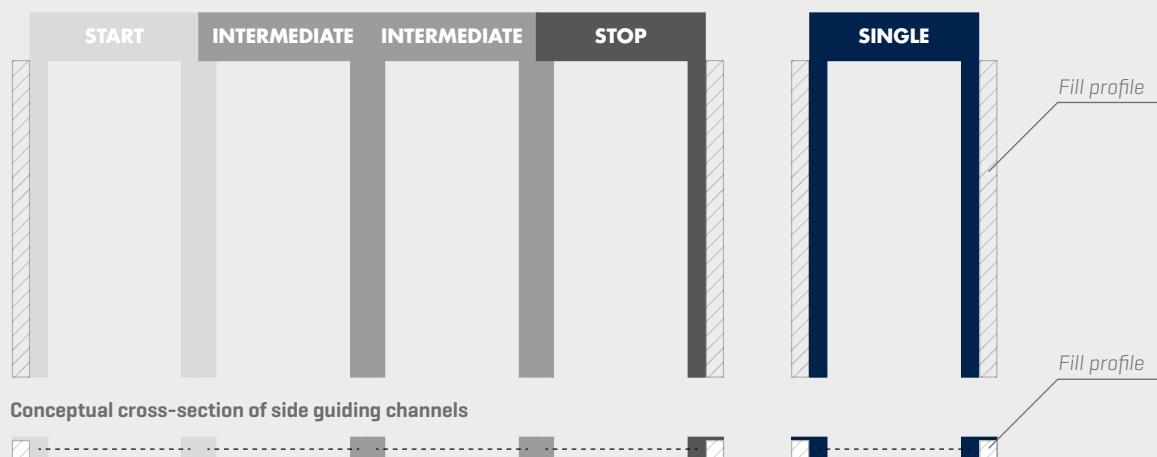


Fixscreen® 150 Curtain Wall 60

## How to combine screens with a curtain wall?

For curtain walls, Renson® offers the choice between a single screen, or a series of screens over the entire glass facade. If a series of screens is needed, the installation starts with the start screen. This consists of two coupling side guiding channels, the outer one of which contains a fill profile that will replace the zip channel to ensure an aesthetically pleasing finish. This start screen is followed by the required amount of intermediate screens. The last screen is a stop screen, which also contains a fill profile at the end.

### Conceptual view





# CURTAIN WALLS AND SUN PROTECTION

Curtain wall façades are becoming increasingly more common in contemporary architecture, and are not only found in commercial buildings but in residential buildings as well. However, the existence of such large glass panes should also not reduce the level of comfort in the interior of the house. Thus although adequate daylight offers many advantages, external solar shading is also required to control the internal temperature in the house.

Renson® has created a **unique product range** to help integrate this sun screen nicely: It is now possible to centrally install the coupling side guiding channels, thereby enabling the easy installation of the sun screens on the curtain wall transoms itself. This design also takes due account of thermal expansion, and consequently it is easily possible for you to connect an infinite number of screens to each other.

## Fixscreen Minimal curtain wall 50

Renson® is a pioneer in windproof sun screens against winds of up to 130 km/h, and its new product, namely the Fixscreen Minimal, raises the bar even higher. The focus this time as well is ensuring the minimum possible impacts on building design – whether it is curtain walling, new construction, or renovation projects.

Every element and minute detail of the Fixscreen sun screen has been carefully scrutinised: the box, side guiding channels, fabric roller tube, dimensions, screen tension, etc. After all, minimising dimensions is crucially important to minimising the impact on the architecture. The Fixscreen Minimal fulfils this requirement with side guiding channels with invisible screws, and offers a viewing latitude of 50 mm for curtain walls. The absolute minimum. What makes this product even more unique is that it is also available as a co-developed, validated solution with certain curtain wall system suppliers.



## Fixscreen 150 curtain wall 60 (only as project solution)

The smart, stylish design, the unprecedented wind resistance and the wide range of sun screens available make the Fixscreen a unique technological masterstroke for the comfort, ease of use and aesthetics that it offers. The unique Fixscreen technology always ensures that the screen is tautly tensioned. Apart from the wide range of installation methods, we now also offer a unique solution for curtain walls in new buildings as well as renovation projects. The Fixscreen 150 Curtain wall 60 integrates perfectly with the curtain wall design and enables coverage of large areas of up to 22 m<sup>2</sup>. The coupling side guiding channel has no visible screws, and offers a viewing latitude of 60 mm, thereby contributing to a clean and uniform line of sight.



# FIXSCREEN® MINIMAL CURTAIN WALL 50

Coupling side guiding channel  
of just 50 mm wide

A 3D perspective diagram of a curtain wall section. The wall is composed of dark grey panels held together by a brown aluminium frame. A callout line from the text 'Coupling side guiding channel of just 50 mm wide' points to the narrow channel between the side panels. Another callout line from the text 'High-end design, screwless, with a lacquered aluminium zip channel and 0° base plate' points to the bottom edge of the wall assembly.

High-end design, screwless,  
with a lacquered aluminium zip  
channel and 0° base plate



Screen box equipped with thermal expansion

Wide range of fabrics and powder coating colours

Smaller, fully retractable bottom bar with invisible welding seam

# FIXSCREEN® MINIMAL CURTAIN WALL 50

## MINIMAL IMPACT ON THE ARCHITECTURE

The box design for the Fixscreen Minimal curtain wall variant ensures that it can easily be installed discreetly concealed or placed so as to be visible. The discreet design of the side guiding channel and bottom bar ensures a minimal impact on the architecture. The **coupling side guiding channel C.50** has a frontal width of 50 mm, which perfectly matches the wide range of available curtain wall profiles of 50 mm. The redesigned **bottom bar** is now fully retractable and has a maximum height of just 35 mm.

Fixscreen Minimal

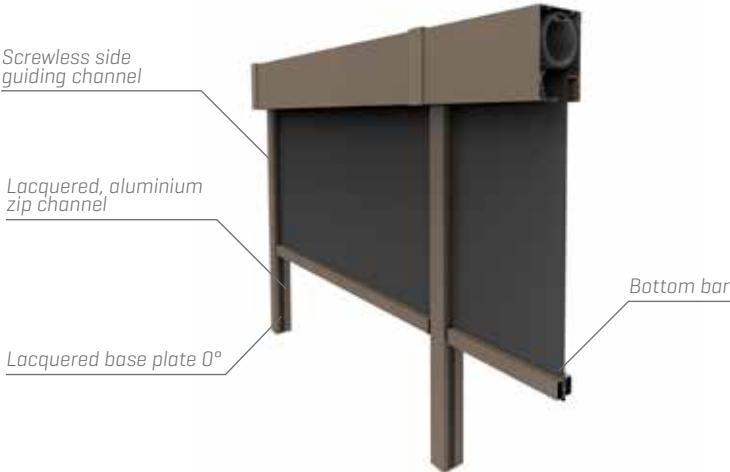


## MINIMALIST DESIGN WITH AN EYE FOR DETAIL

Every minor detail of the Fixscreen Minimal has been designed with the greatest of care. For example, no screws are visible anywhere, since the **side guiding channel** elements snap seamlessly into each other

An **aluminium powder coated zip guide** is integrated in the side guiding channel, and this is finished at the bottom with a **base plate** below 0°. To ensure uniform appearance, the zip channel and the side guiding channel are all in the same colour. For start and stop screens, a **fill profile** in the side guiding channel provides an aesthetically pleasing finish.

The welding seams in the **bottom bar** – a uniform feature of the entire Fixscreen Minimal range – is equipped with a recessed detail that hides the welded seam. The result is a beautiful, aesthetically pleasing whole.



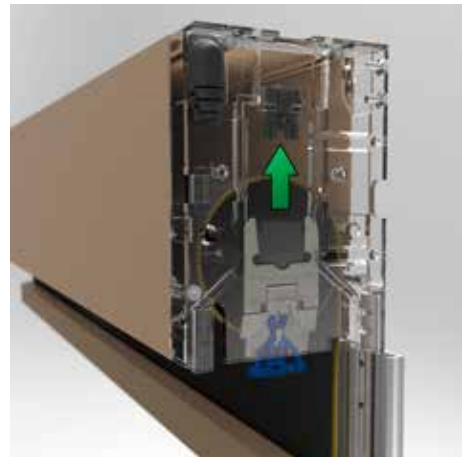


## HIGH-END TECHNOLOGY

The **Connect&Go** is a patented, splash-proof electrical connector in the fabric box. With Connect&Go, the fabric roller tube, the motor and the fabric can all be installed and uninstalled quickly, easily and safely. The well-known technology was fully redesigned and renewed to make it even more robust. Thanks to the **Click&Safe technology**, the screen set can now be clicked into the head box without screws so that the installer has his hands free to complete the installation safely. Apart from being aesthetically pleasing, the aluminium zip channel maintains perfect screen tension, and also increases the durability of the entire assembly. The unique, tried and tested **Smooth technology** formula has also been integrated into this zip channel. With Smooth technology, the zip glides noiselessly into the channel and at the same time guarantees its high wind resistance, even in the long term.

The **fabric tension** is achieved through a unique manner in which the screen is integrated into the Fixscreen Minimal. The distribution of tension over the entire screen is jointly ensured by the weighted bottom bar and the aluminium zip channels. The screen within the box itself passes smoothly over a screen guide profile. This ensures the controlled upward and downward movement of the screen – regardless of the amount of screen on the fabric roller tube.

It is the combined effect of these unique innovative technical features that ensures an extremely high wind guarantee, in the closed position, against **winds of up to 130 km/h** in the case of freestanding screens.



## EASE OF INSTALLATION COMES FIRST

This new product range takes the design aspect into account as well as ease of installation. The side guiding channels are first installed, on which the box assembly is then mounted – a simple and fast construction kit.

To further facilitate assembly, a separate **mounting pin** has been provided to connect the box and the side guiding channel.

Consequently, it is now very easy to detach the **bottom bar** from the screen. This reduces the weight, which in turn enables faster assembly and dismantling. The fabric roller tube is also equipped with a new, detachable snap (click) profile that minimises the horizontal line formation in the screen, and also enables you to quickly snap the screen out of the **fabric roller tube**.

The installation of the entire screen box as a simple and fast construction kit

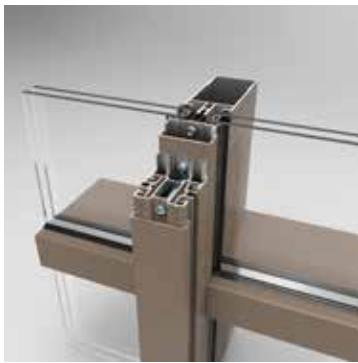


The bottom bar simply snaps loose from the screen



# FIXSCREEN® MINIMAL CURTAIN WALL 50

Installation method 7A (MS 7A): Surface-mounted or recessed, in front of the window, with fully finished box



## TECHNICAL DETAILS

Design		
Box size (HxD)	Medium 160 mm x 110 mm	Large 180 mm x 130 mm
Square		✓
Retractable bottom bar		✓
Wind resistance		
Wind class EN13561:2004		3
Guaranteed wind resistance	Up to 130 km/h when closed	
Application		
New buildings		✓
Renovation		✓
Residential		✓
Non-residential		✓
Operation		
Detecto Renson Motor Safety First		✓
Somfy IO motor		✓

## DURABILITY

Technology	
Fixscreen technology	✓
Smooth technology	✓
Fixscreen Minimal Connect&Go-technology	✓
Click&Safe-technologie	✓
Certificates	
Declaration of Performance (DoP)	DOP-2015SC00006
Warranty	
10-year warranty on the powder coating of the aluminium elements	✓
7-year warranty on Fixscreen technology	✓
7-year warranty on Detecto Rensonmotor Safety First	✓
5-year warranty on the electronic controls (motor & automation)	✓
5-year product warranty	✓
5-year warranty on the fabric collection	✓
5-year warranty on the gloss level	✓

## DIMENSIONS

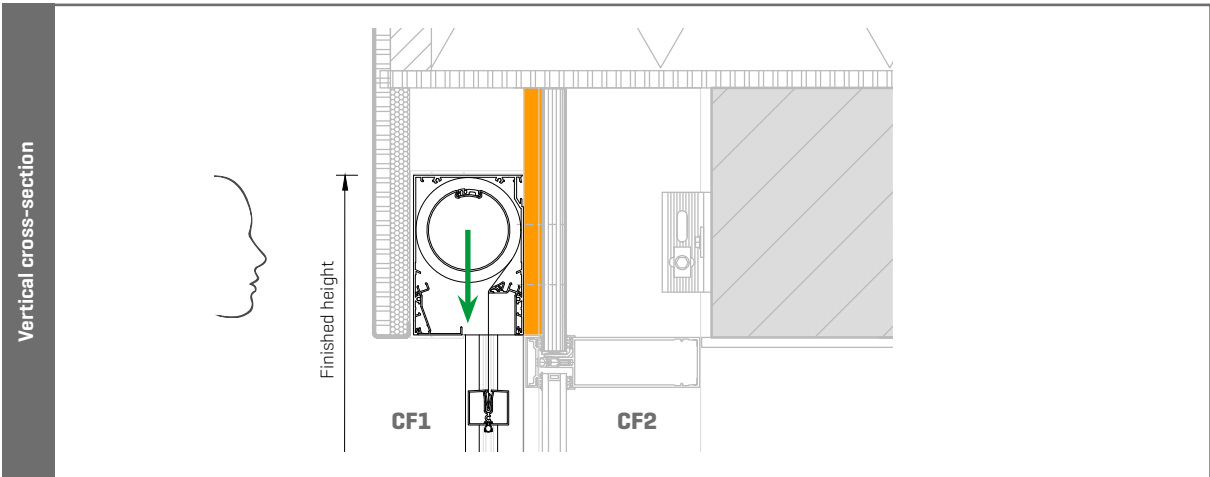
		Medium	Large
<b>Single screen</b>			
Fibreglass fabrics Sergé / Natté / Privacy	Min. width Somfy IO	900 mm	900 mm
	Min. width Detecto	670 mm	670 mm
	Max. width	3600 mm	3600 mm
	Max. height	4000 mm	6000 mm
	Max. surface area	14,4 m <sup>2</sup>	21,6 m <sup>2</sup>
Blackout fibreglass fabrics Satiné 21154 Black out polyester fabrics Soltis Opaque B92	Min. width Somfy IO	900 mm	n.a.
	Min. width Detecto	670 mm	n.a.
	Max. width	3600 mm	n.a.
	Max. height	4000 mm	n.a.
	Max. surface area	14,4 m <sup>2</sup>	n.a.

### Note:

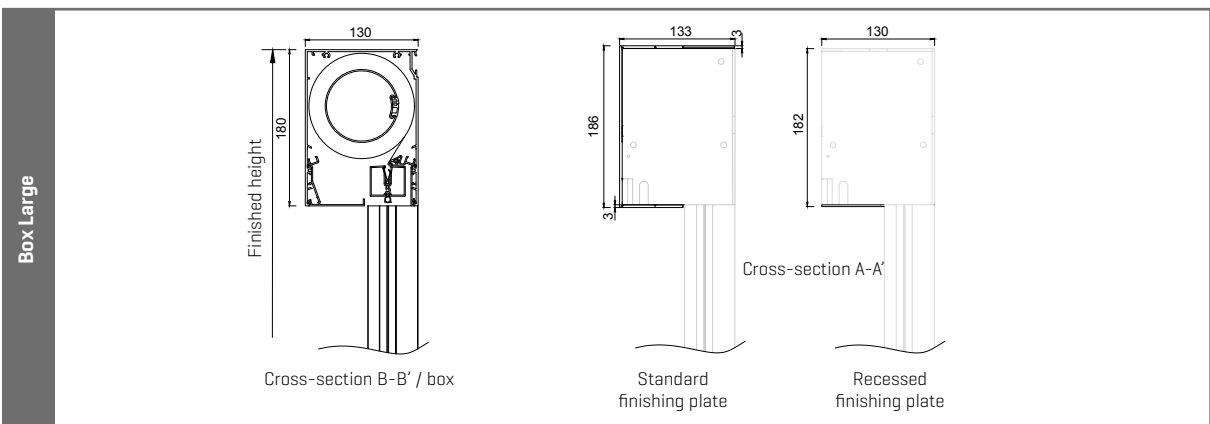
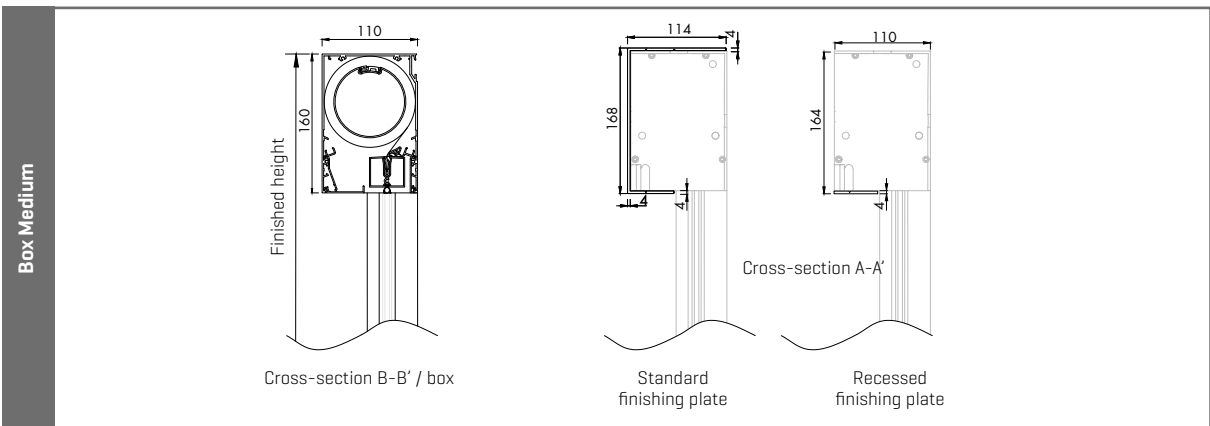
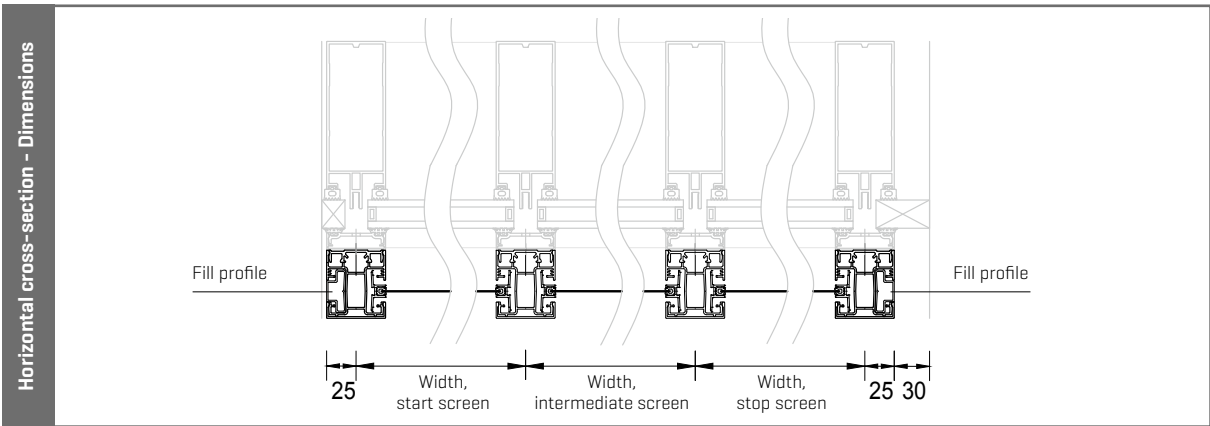
- Screens are always motorised
- To enable the interlinking of an infinite number of screens, the design takes due account of thermal expansion and shrinkage.
- The fill profile is mounted on the outside of the start and stop screens as standard. It is optional for other coupling side guiding channels.
- The start screen is always mounted on the left, and further units are installed from start to stop screen.
- Mounting the stop screen requires an additional installation width of 30 mm.
- Extended side guiding channels can be used in case the curtain wall also has a door opening.
- Combination with curtain wall system to be validated in consultation with system supplier.



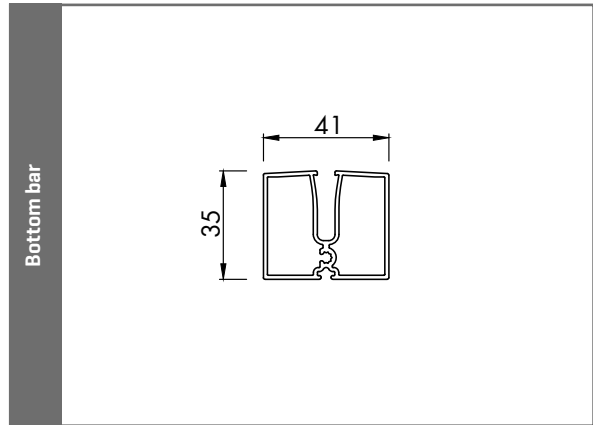
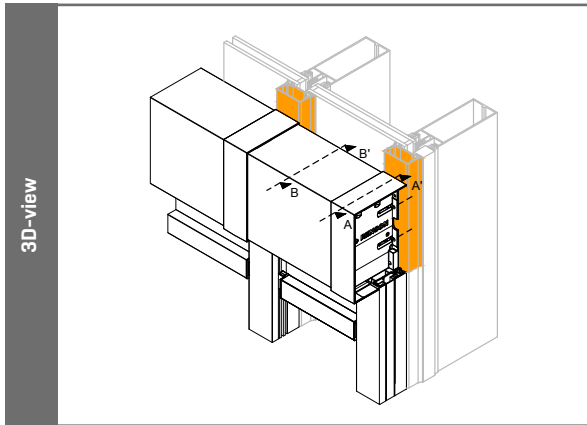
# TECHNICAL DRAWINGS



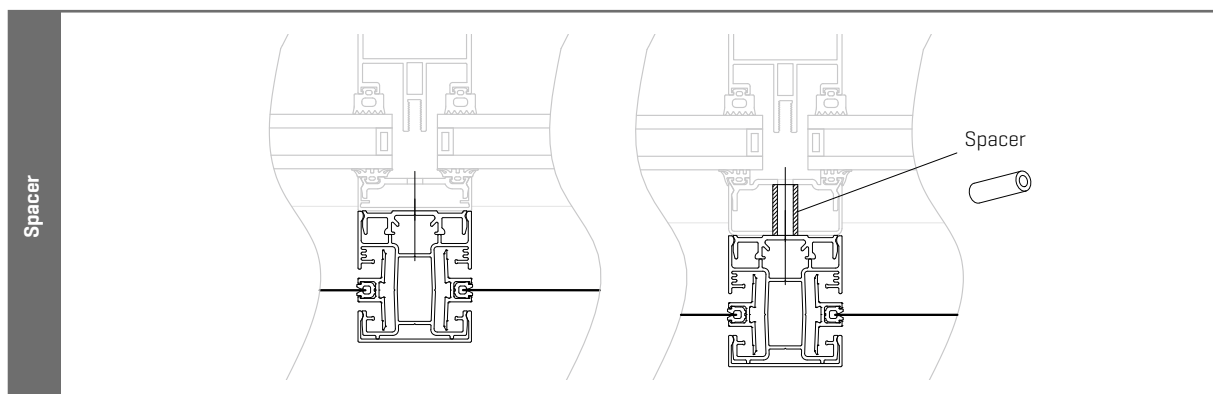
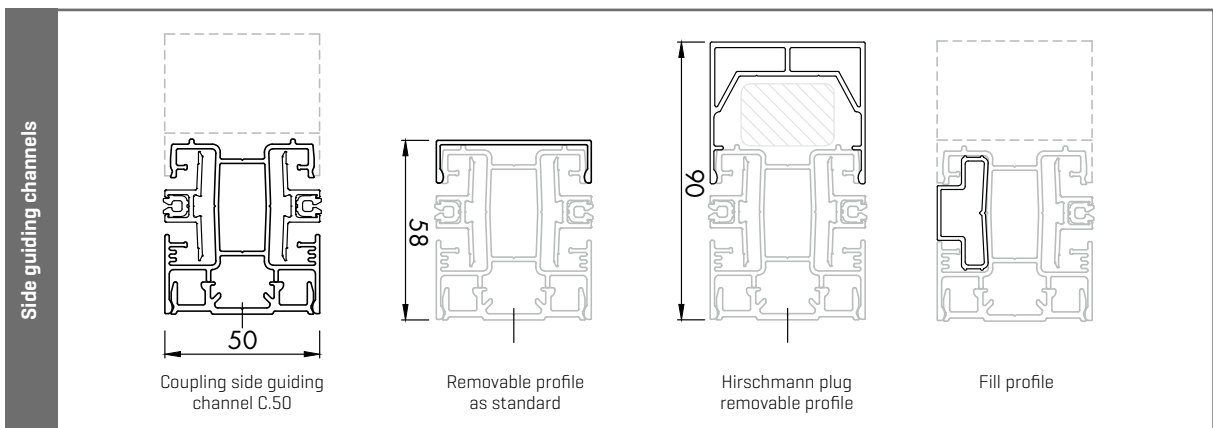
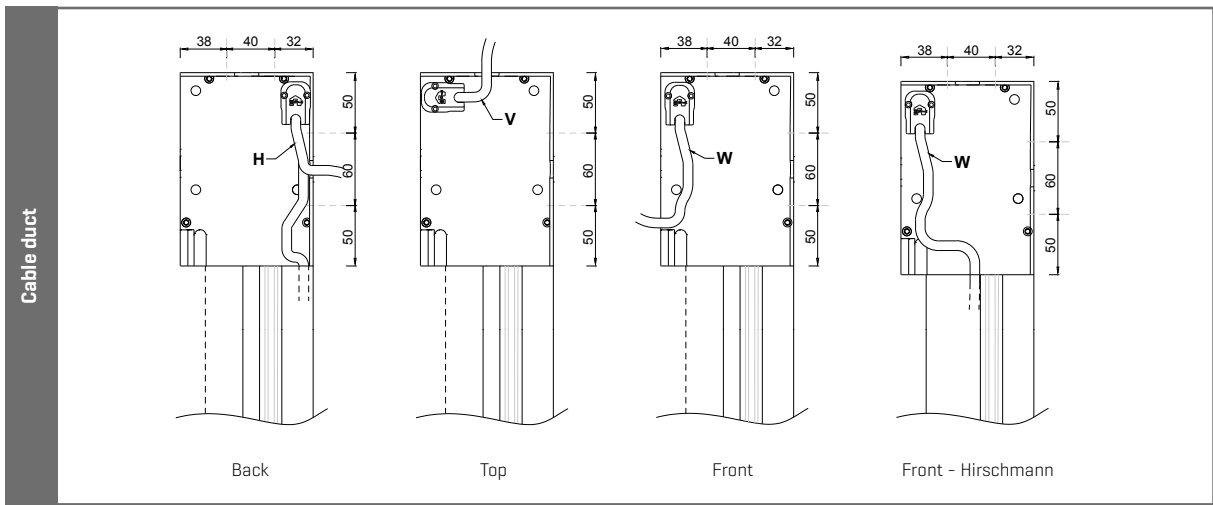
Viewing direction determines selection option cable feed left or right ← Direction in which fabric roller should be demounted



# TECHNICAL DRAWINGS



**Attention:** In order to enable the replacement of underlying glass without dismantling the box, it is advisable to interrupt both the cover profiles and the side guide clamp.

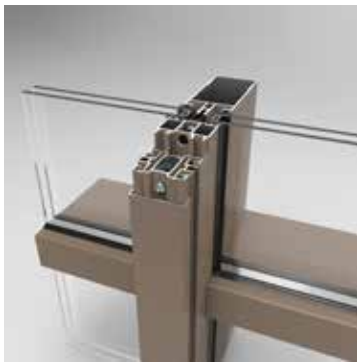


**Note:** spacer can be provided according to the type of cover profile

# FIXSCREEN® MINIMAL CURTAIN WALL 50

Compatible with Reynaers Aluminium ConceptWall 50

Installation method 7A (MS 7A): Surface-mounted or recessed, in front of the window, with fully finished box



Reynaers Aluminium and Renson join forces for the ultimate combination of curtain walls and fabric sun protection. Both Renson's Fixscreen Minimal Curtain Wall 50 and the ConceptWall 50 from Reynaers Aluminium have been updated to perfectly align with each other. The result is a unique, tested and validated all-in-one solution.

## TECHNICAL DETAILS

Design		
Box size [HxD]	Medium 160 mm x 110 mm	Large 180 mm x 130 mm
Square		✓
Retractable bottom bar		✓
Wind resistance		
Wind class EN13561:2004		3
Guaranteed wind resistance	Up to 130 km/h when closed	
Operation		
Detecto Renson Motor Safety First		✓
Somfy IO motor		✓

## DURABILITY

Technology	
Fixscreen technology	✓
Smooth technology	✓
Fixscreen Minimal Connect&Go-technology	✓
Click&Safe-technologie	✓
Certificates	
Declaration of Performance [DoP]	DOP-2015SC00006
Warranty	
10-year warranty on the powder coating of the aluminium elements	✓
7-year warranty on Fixscreen technology	✓
7-year warranty on Detecto Rensonmotor Safety First	✓
5-year warranty on the electronic controls [motor & automation]	✓
5-year product warranty	✓
5-year warranty on the fabric collection	✓
5-year warranty on the gloss level	✓



## DIMENSIONS

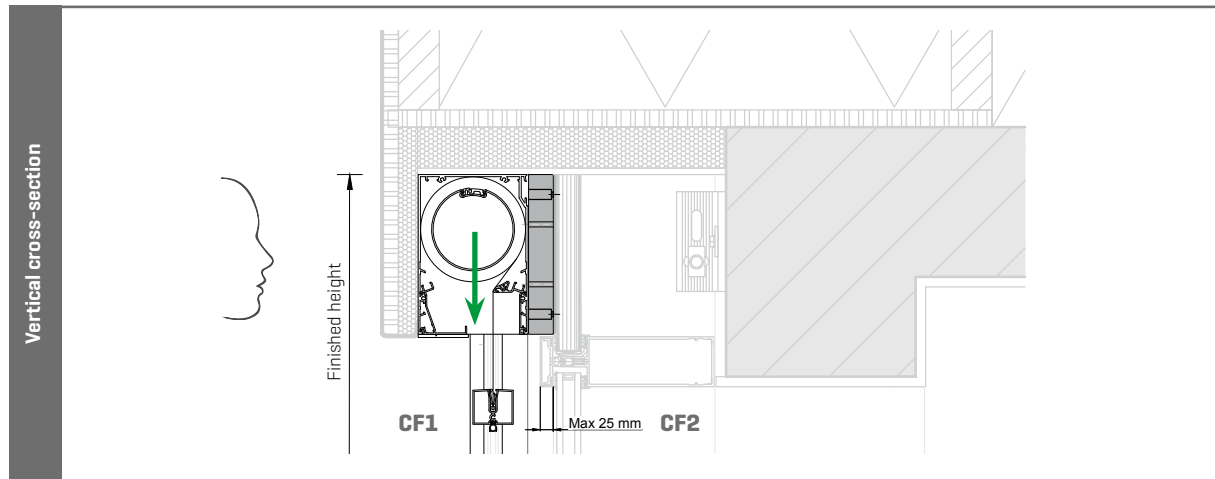
		Medium	Large
<b>Single screen</b>			
Fibreglass fabrics Sergé / Natté / Privacy	Min. width Somfy IO	900 mm	900 mm
	Min. width Detecto	670 mm	670 mm
	Max. width	3600 mm	3600 mm
	Max. height	4000 mm	6000 mm
	Max. surface area	14,4 m <sup>2</sup>	21,6 m <sup>2</sup>
Blackout fibreglass fabrics Satiné 21154 Black out polyester fabrics Soltis Opaque B92	Min. width Somfy IO	900 mm	n.a.
	Min. width Detecto	670 mm	n.a.
	Max. width	3600 mm	n.a.
	Max. height	4000 mm	n.a.
	Max. surface area	14,4 m <sup>2</sup>	n.a.

### Note:

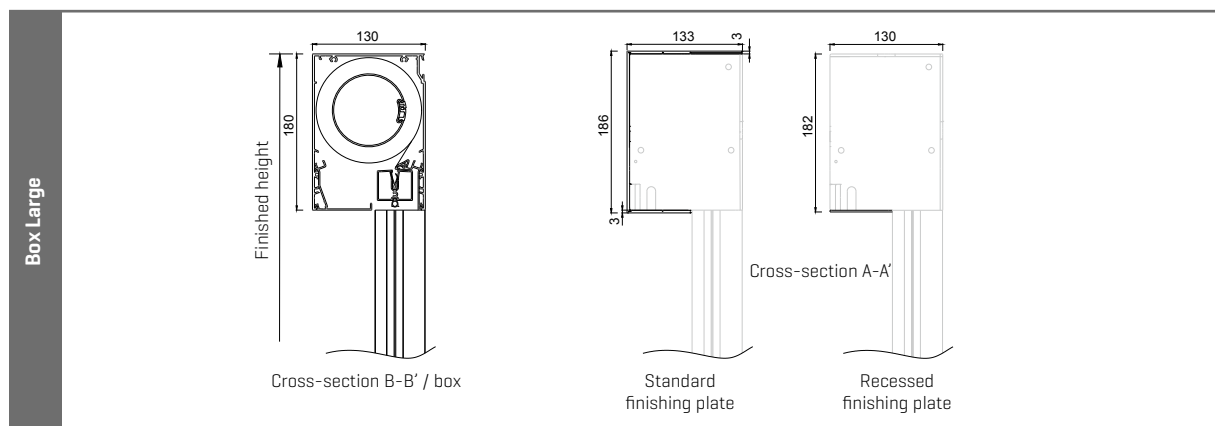
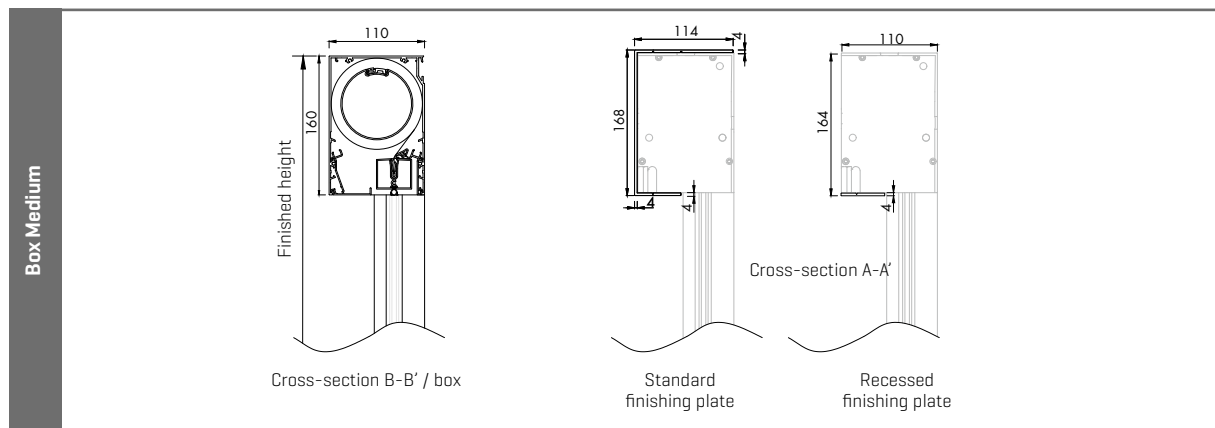
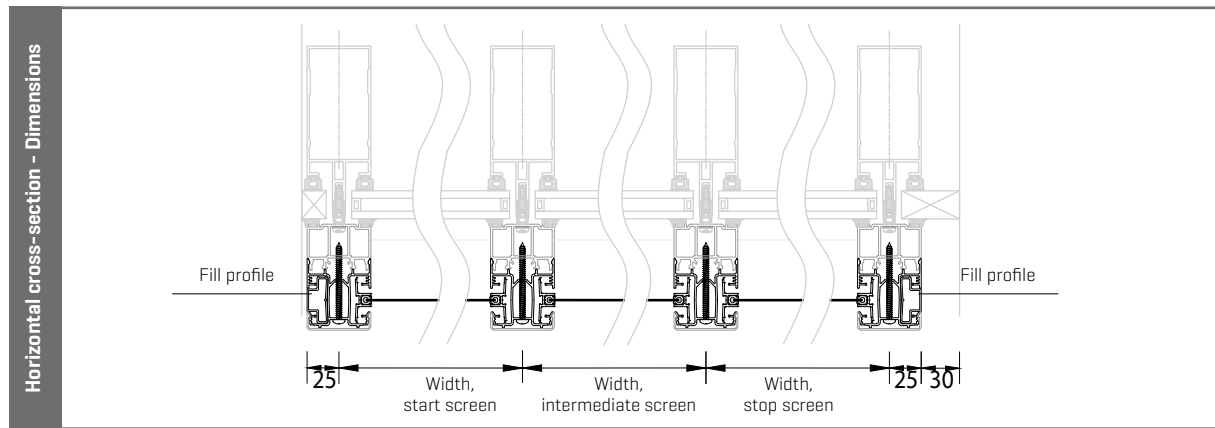
- Screens are always motorised
- To enable the interlinking of an infinite number of screens, the design takes due account of thermal expansion and shrinkage.
- The fill profile is mounted on the outside of the start and stop screens as standard. It is optional for other coupling side guiding channels.
- The start screen is always mounted on the left, and further units are installed from start to stop screen.
- Mounting the stop screen requires an additional installation width of 30 mm.
- Extended side guiding channels can be used in case the curtain wall also has a door opening.
- **The product combination with the ConceptWall 50 must be configured in accordance with the specifications from Reynaers Aluminium and through a Reynaers Aluminium partner.**



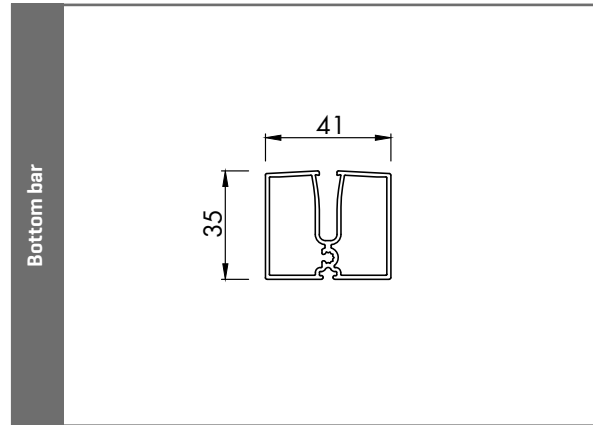
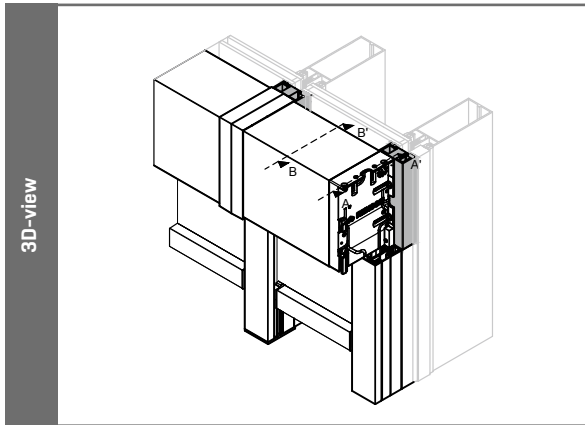
# TECHNICAL DRAWINGS



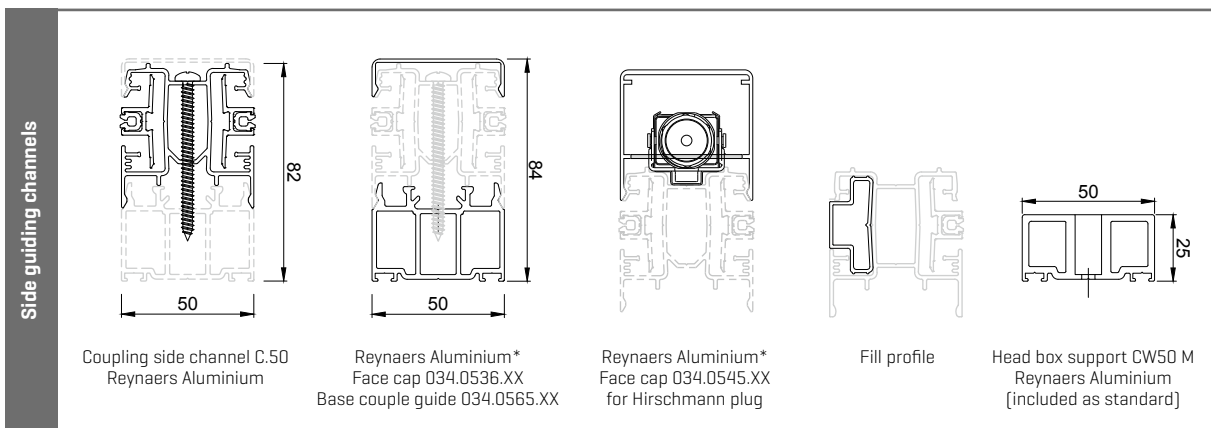
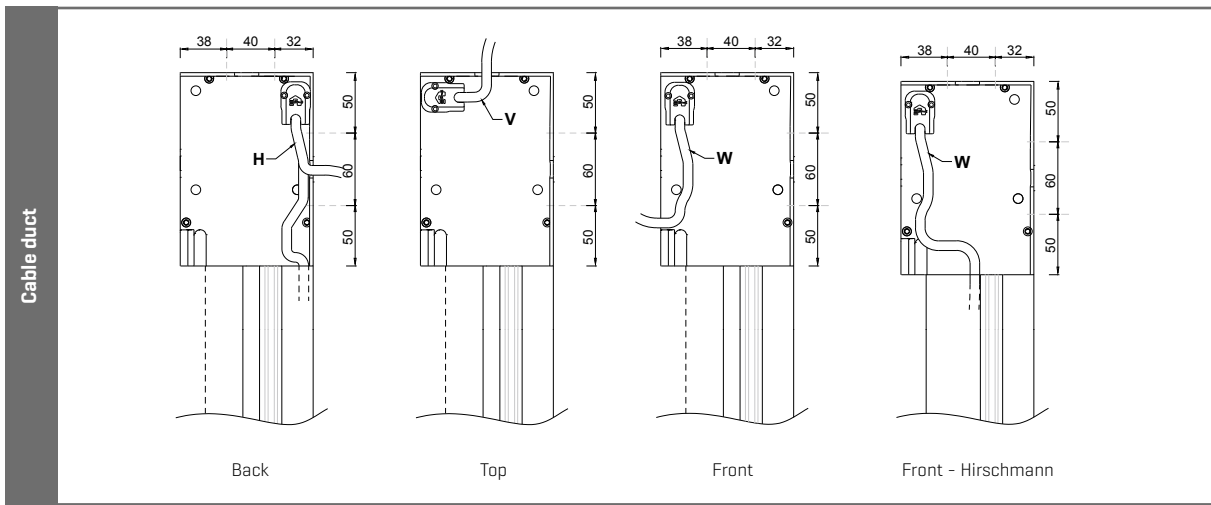
Viewing direction determines selection option cable feed left or right Direction in which fabric roller should be demounted



## TECHNICAL DRAWINGS



**Attention:** Use of the **head box support CW50 Reynaers Aluminium** is necessary to allow replacement of the underlying glass without disassembly of the head box.



\* To be ordered from Reynaers Aluminium

# FIXSCREEN® 150 CURTAIN WALL 60

ONLY AVAILABLE AS  
A PROJECT SOLUTION

## SUITABLE FOR LARGE GLASS SURFACES

Surface areas up to 22 m<sup>2</sup>

## DURABLE ZIP GUIDE WITH SMOOTH-TECHNOLOGY

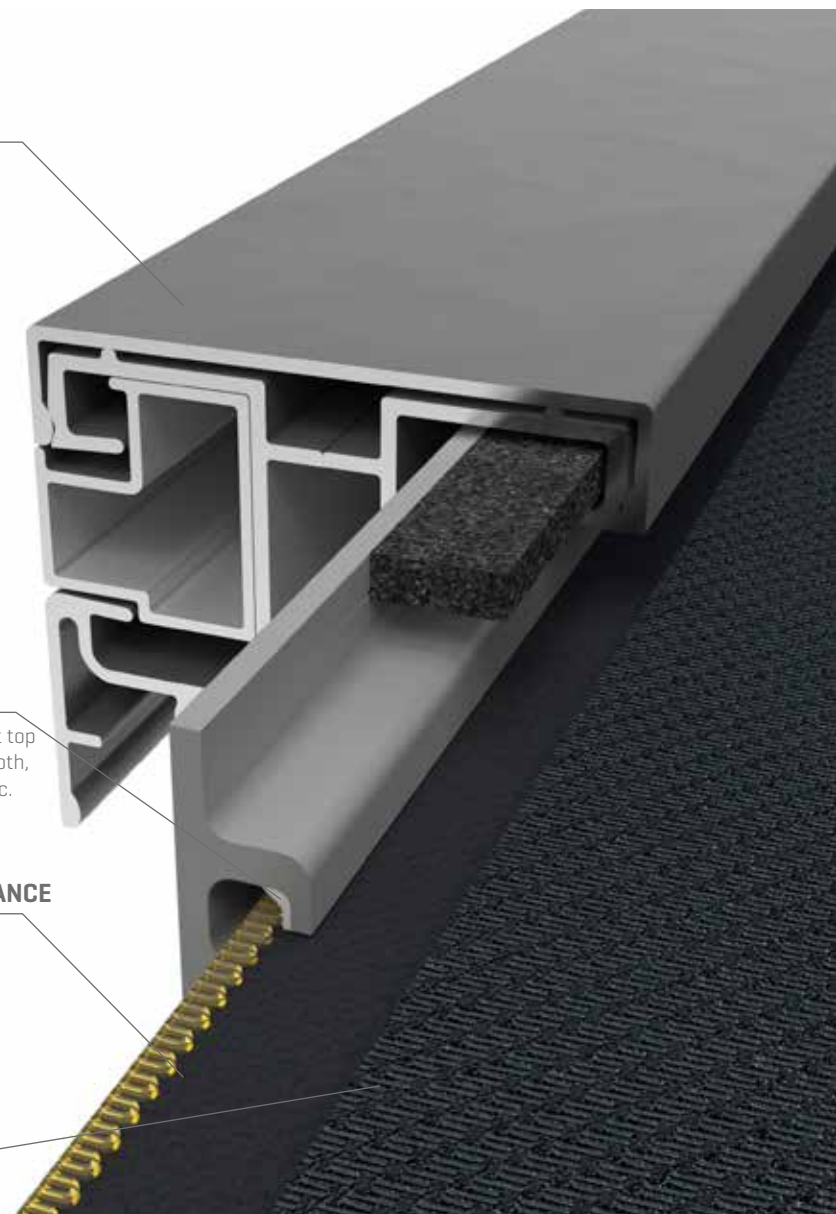
The patented, co-extruded, wear-resistant top layer in our HPVC zip guide ensures a smooth, durable and soundless guiding of the fabric.

## FIXSCREEN-TECHNOLOGY GUARANTEES HIGH WIND RESISTANCE

High wind guarantee up to 130 km/h, due to the use of symmetrical zips.

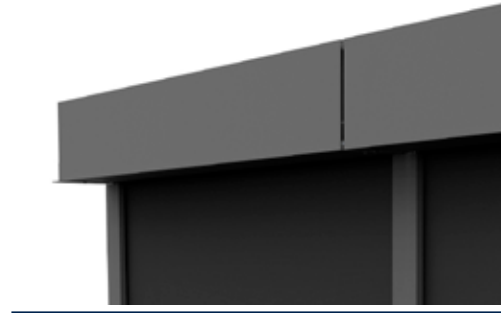
## WIDE-RANGING ASSORTMENT OF SCREENS AND POWDER COATING COLOURS

Perfectly in line with the architecture



### The box

The box profile in Square design is made of tight extruded aluminium profiles. The box size is 150 mm [H] x 155 mm [D]. The side consoles are designed to allow thermal expansion during coupling. The box is fixed in place with an L-profile as standard.



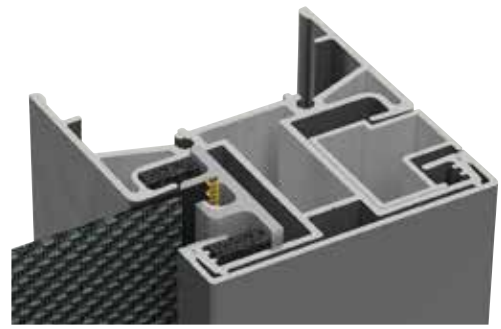
### The motor

The motor, equipped with the Connect&Go technology, can be installed on the left or on the right side. A variety of choices is available: IO, RTS, mechanical and electronic. The Detecto motor is equipped with an additional stop, mounted within the side guiding channel.



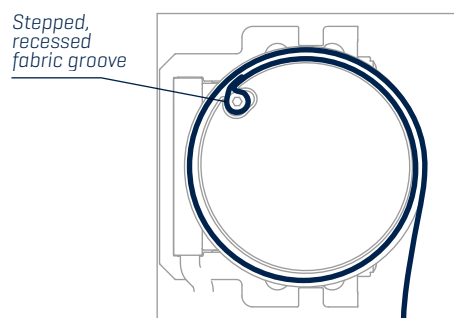
### The side guiding channel

The two-piece, extruded aluminium coupling side guiding channel C.60 has a width of 60 mm and a depth of 67 mm. It is mounted on 60 mm wide curtain wall profiles, and is screwed onto the curtain wall. A 60 mm wide and 55 mm deep coupling side guiding channel C.60 can be used in the case of renovation projects. A mounting block allows the side guiding channel to be screwed onto the curtain wall [see page 13].



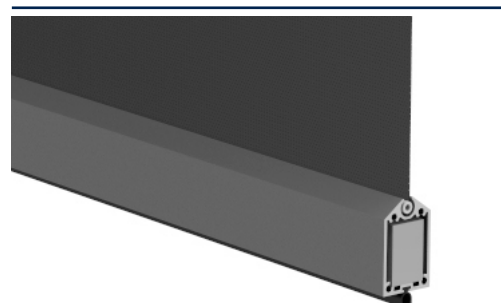
### The fabric roller tube

The fabric tubes are made of galvanised steel and equipped with a unique sunken fabric groove to limit the impression of the fabric eyelet.



### The bottom bar

The aluminium bottom bar is solidly weighted with galvanised steel to achieve optimum screen tension on the window sill. For perfect sealing, the bottom bar is equipped with a plastic sealing strip. The bottom bar is not retractable.



# FIXSCREEN® 150 CURTAIN WALL 60

Installation method 7A (MS 7A): Surface-mounted or recessed, in front of the window, with fully finished box

ONLY AVAILABLE AS A PROJECT SOLUTION



Coupling side guiding channel C.60

ONLY AVAILABLE AS A PROJECT SOLUTION



Coupling side guiding channel C.60 for Renovation projects

- For curtain wall profiles of 60 mm width
- Suitable for large dimensions
- Invisible integration
- Fabric roller removable from the bottom



## TECHNICAL DETAILS

Design		
Box size [HxD]	150 mm x 155 mm	
Square	✓	
Softline	-	
Retractable bottom bar	-	
Stepped, recessed fabric roller tube	✓	
Wind resistance		
Wind class EN13561:2004	3	
Guaranteed wind resistance	Up to 130 km/h when closed	
Application		
New buildings	✓	
Renovation	✓	
Residential	✓	
Non-residential	✓	
Operation		
Motorised	Detecto Rensonmotor Safety First	✓
	Somfy mechanical motor	✓
	Somfy, RTS radio-controlled motor	✓
	Somfy, IO radio-controlled motor	✓

### Note:

- Mounting recommended with a minimum of two people. Weight: ± 23 kg/lm.
- A filling profile is mounted on the outside of the start and stop screen as standard. Optional for other side guiding channels.
- Side guiding channels are supplied equipped with a 0° base plate as standard.
- Extended side guiding channels can be used in case the curtain wall also has a door opening.
- In case of surface-mounted installation, it is advised to add extra finishing to the head box in order to guarantee an esthetical and waterproof finish.



## DIMENSIONS

Motorised operation	Applicable fabrics	Dimensions	
Single screen	Fibreglass fabrics Polyester fabrics Soltis Horizon 86 / Soltis Perform 92	Min. width	909 mm
		Max. width	6000 mm
		Min. height	300 mm
		Max. height	6000 mm
		Max. surface area	22 m <sup>2</sup>
	Blackout fibreglass fabrics Satiné 21154 Blackout polyester fabrics Soltis Opaque B92	Min. width	1000 mm
		Max. width	6000 mm
		Min. height	300 mm
		Max. height	4000 mm
		Max. surface area	16 m <sup>2</sup>

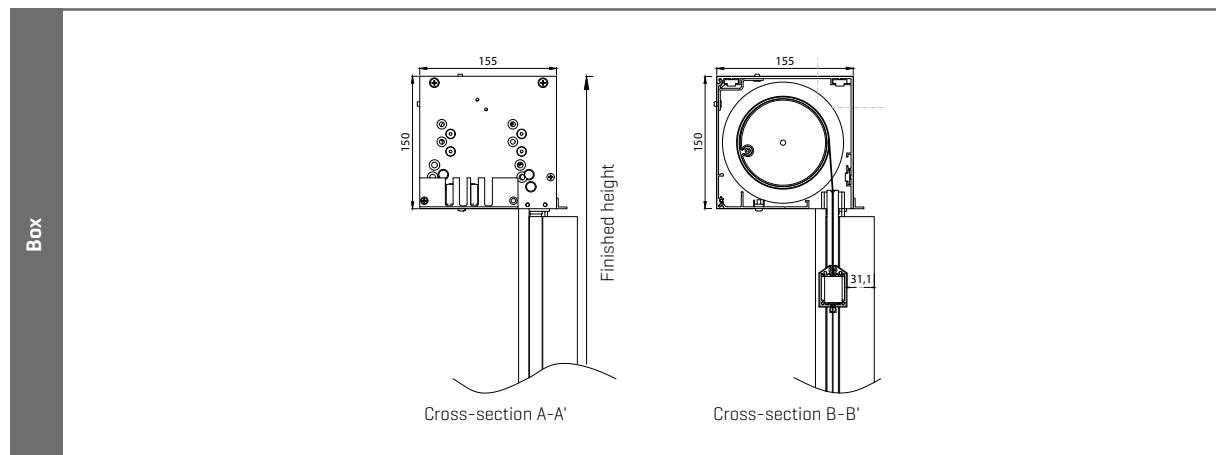
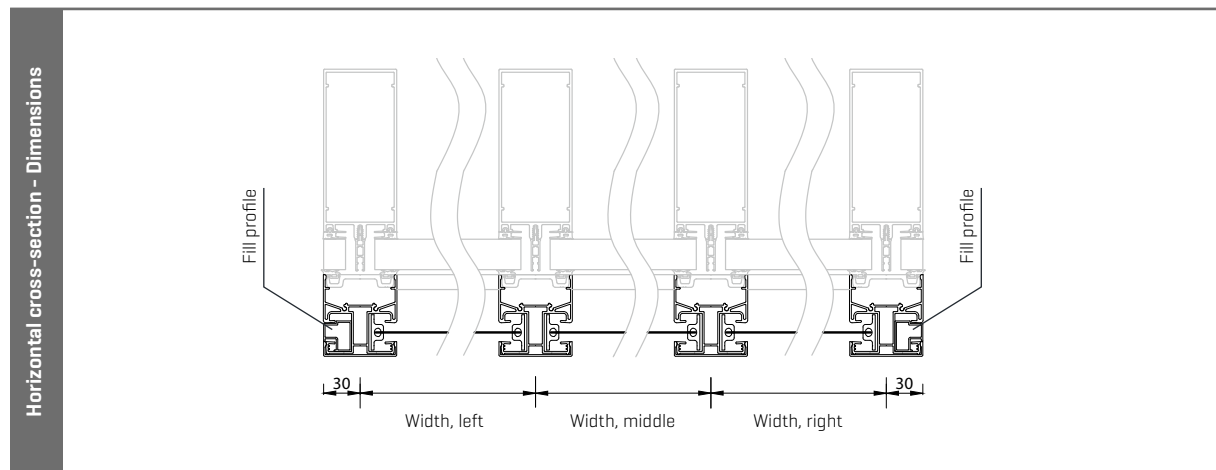
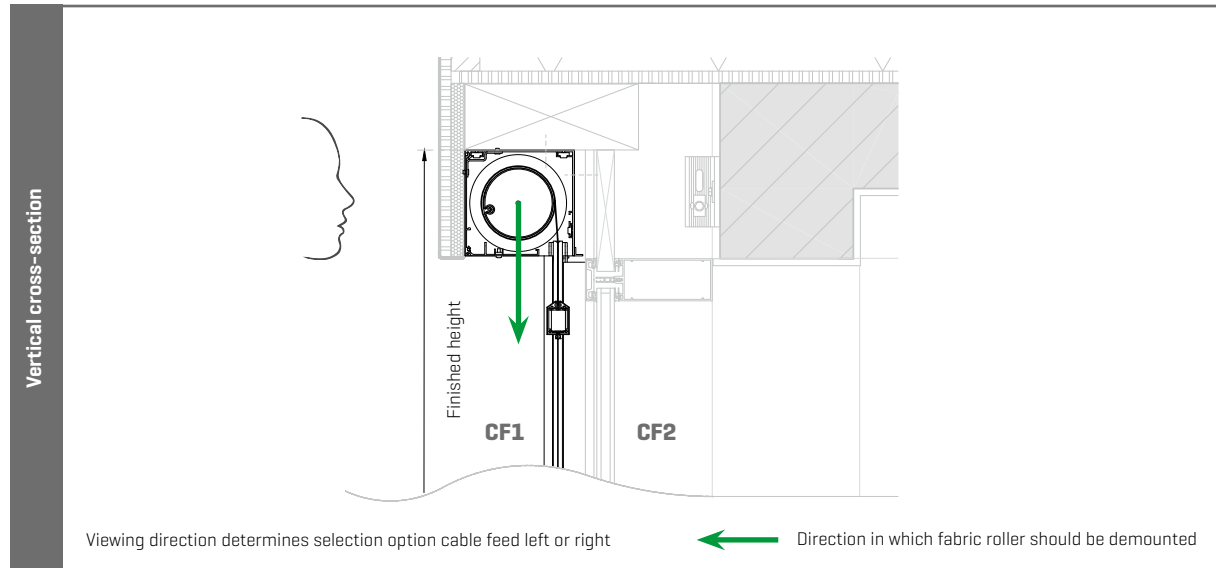
### Note:

- Screens are always motorised
- To enable the coupling of an infinite number of screens, the design takes into account screen expansion and shrinkage.

## DURABILITY

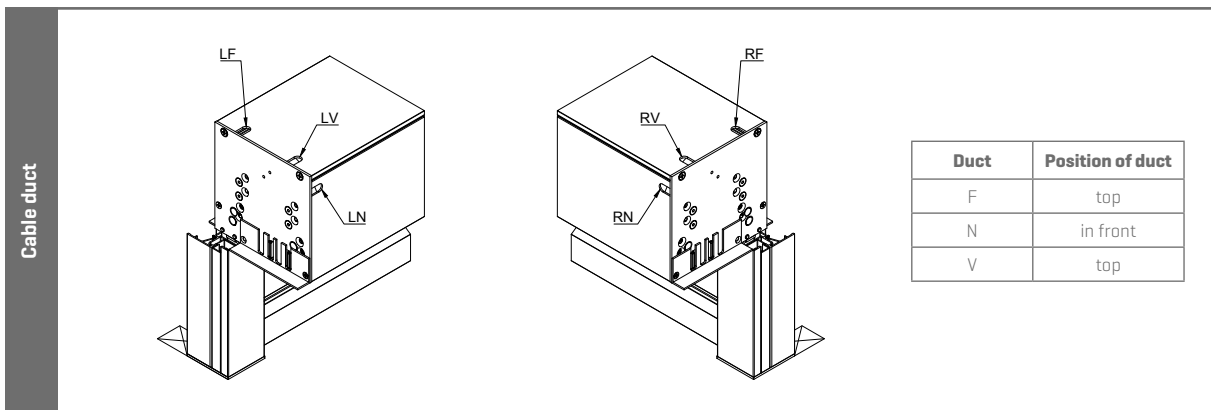
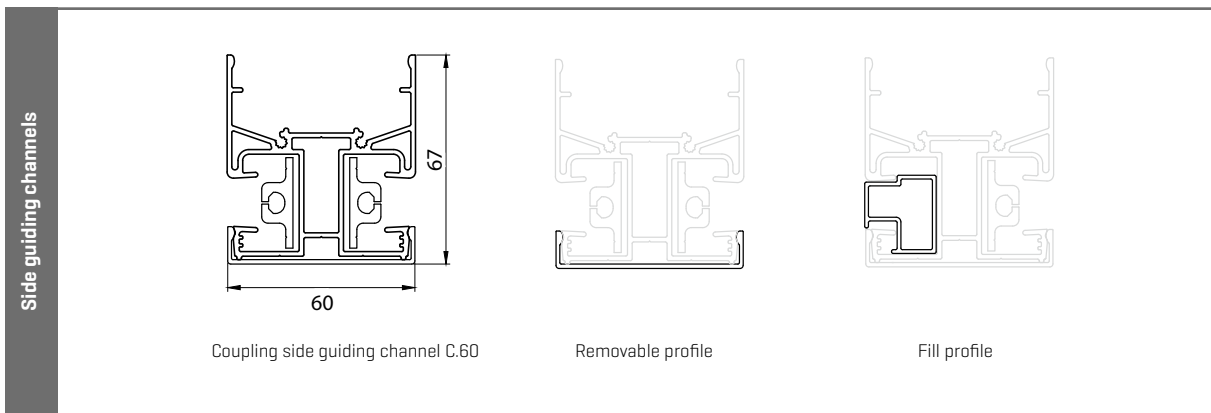
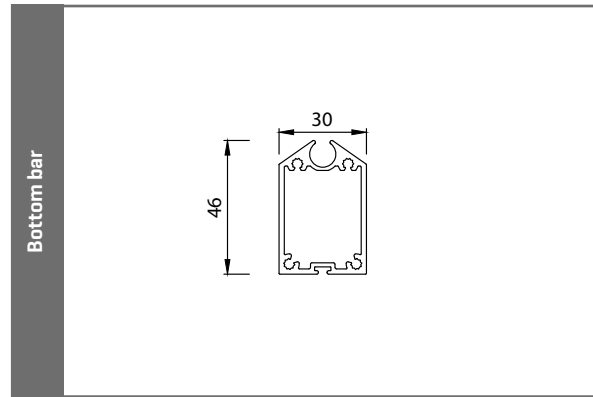
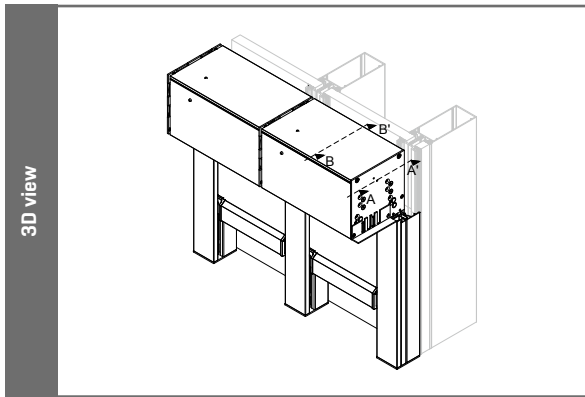
Technology	
Fixscreen technology	✓
Smooth technology	✓
Renewed Connect&Go technology <b>NEW</b>	✓
Click&Safe-technologie	-
Certificates	
Declaration of Performance (DoP)	DOP-2015SC00002
Wind tunnel test report	N°113-25809
Durability test report	WTCB N°651 XE823 CAR4139
Warranty	
10-year warranty on the powder coating of the aluminium elements	✓
7-year warranty on Fixscreen technology	✓
7-year warranty on Detecto Rensonmotor Safety First	✓
5-year warranty on the electronic controls (motor & automation)	✓
5-year product warranty	✓
5-year warranty on the fabric collection	✓
5-year warranty on the gloss level	✓

# TECHNICAL DRAWINGS WITH COUPLING SIDE GUIDING CHANNEL C.60 – MOUNTING DIRECTLY ON SIDE GUIDE CLAMP



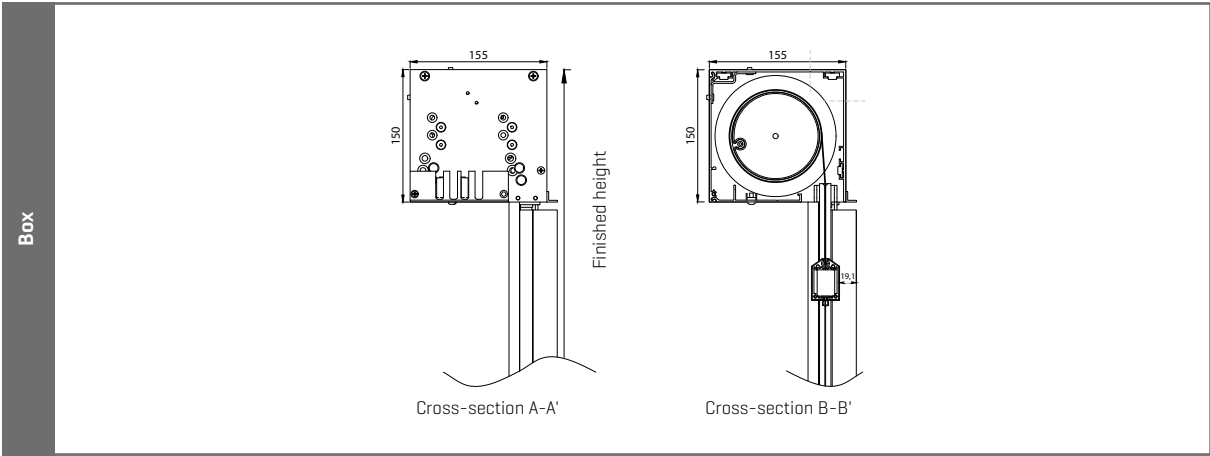
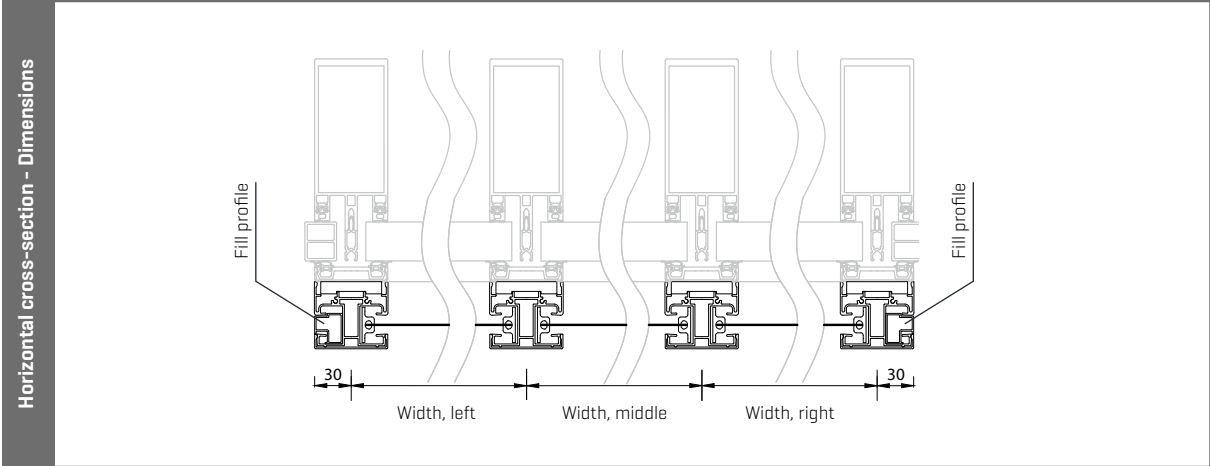
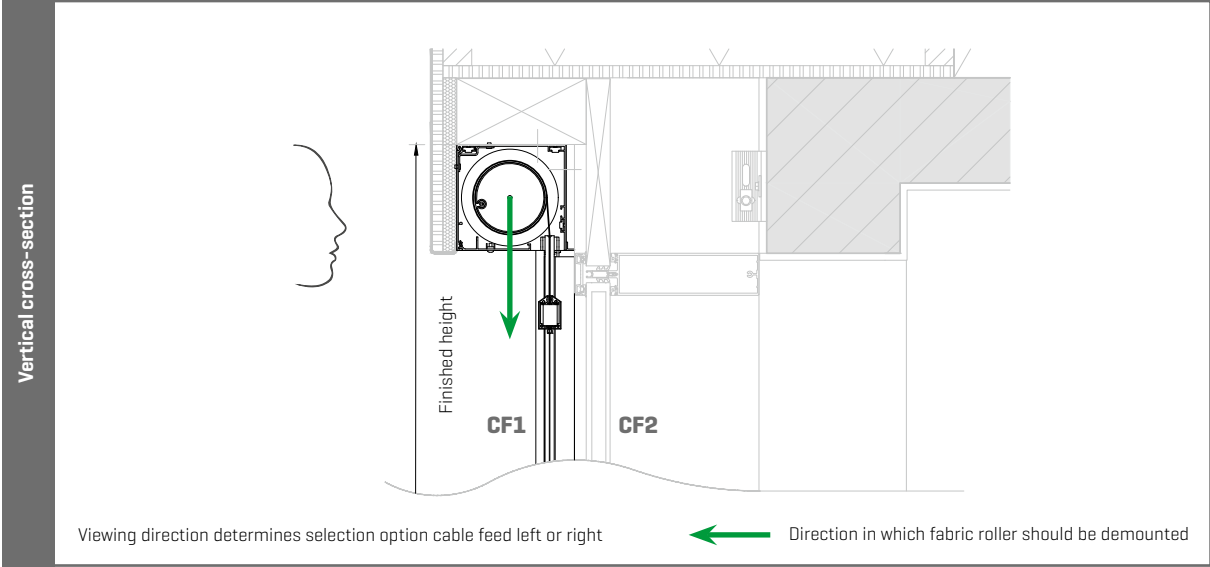
**Note outline drawing:** Subject to prior coordination with Renson® and the manufacturer.

# TECHNICAL DRAWINGS WITH COUPLING SIDE GUIDING CHANNEL C.60 – MOUNTING DIRECTLY ON SIDE GUIDE CLAMP



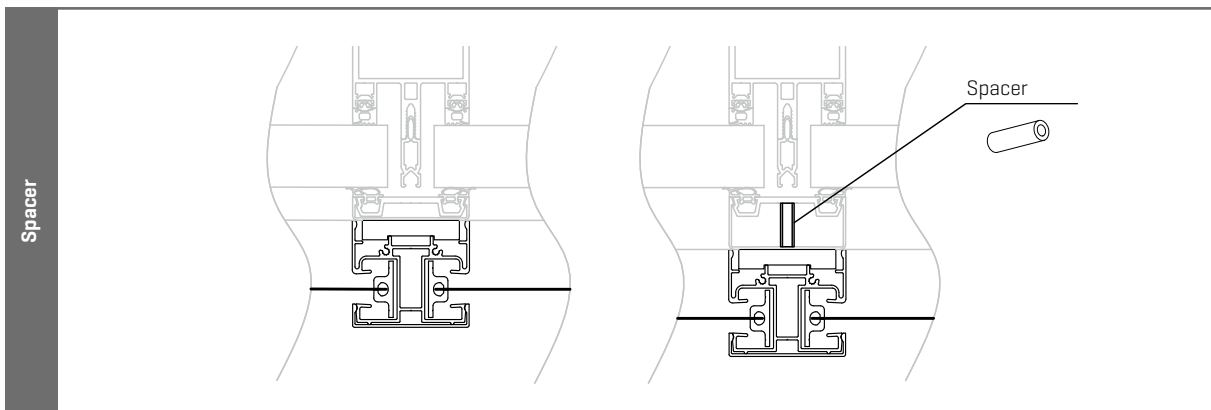
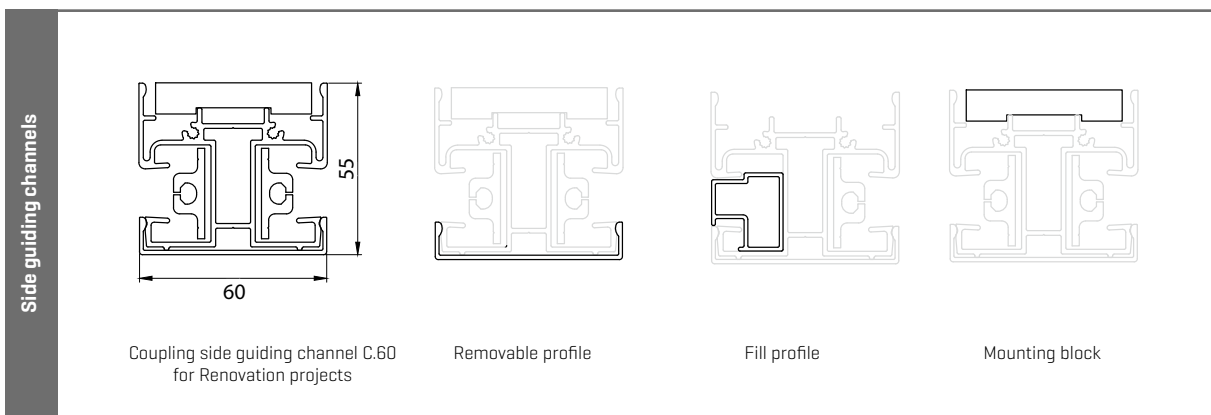
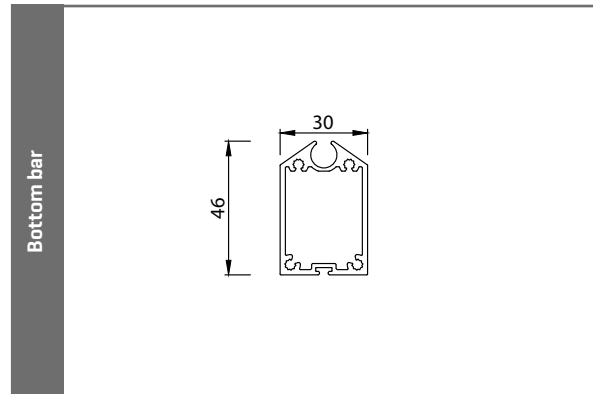
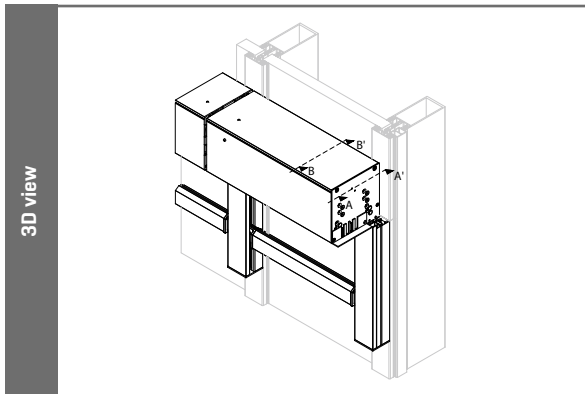
**Note outline drawing:** Subject to prior coordination with Renson® and the manufacturer.

**TECHNICAL DRAWINGS WITH COUPLING SIDE GUIDING CHANNEL C.60 RENOVATION – MOUNTING BY MEANS OF MOUNTING BLOCK\***

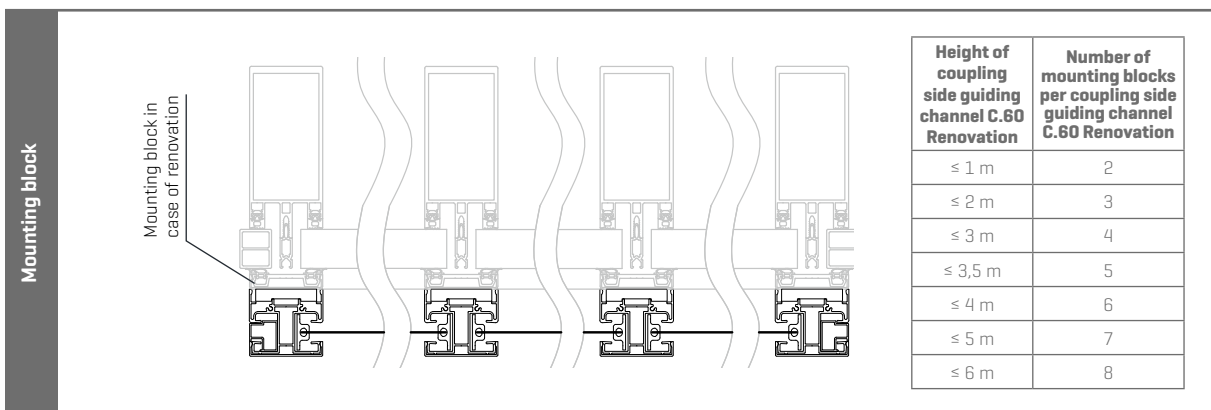


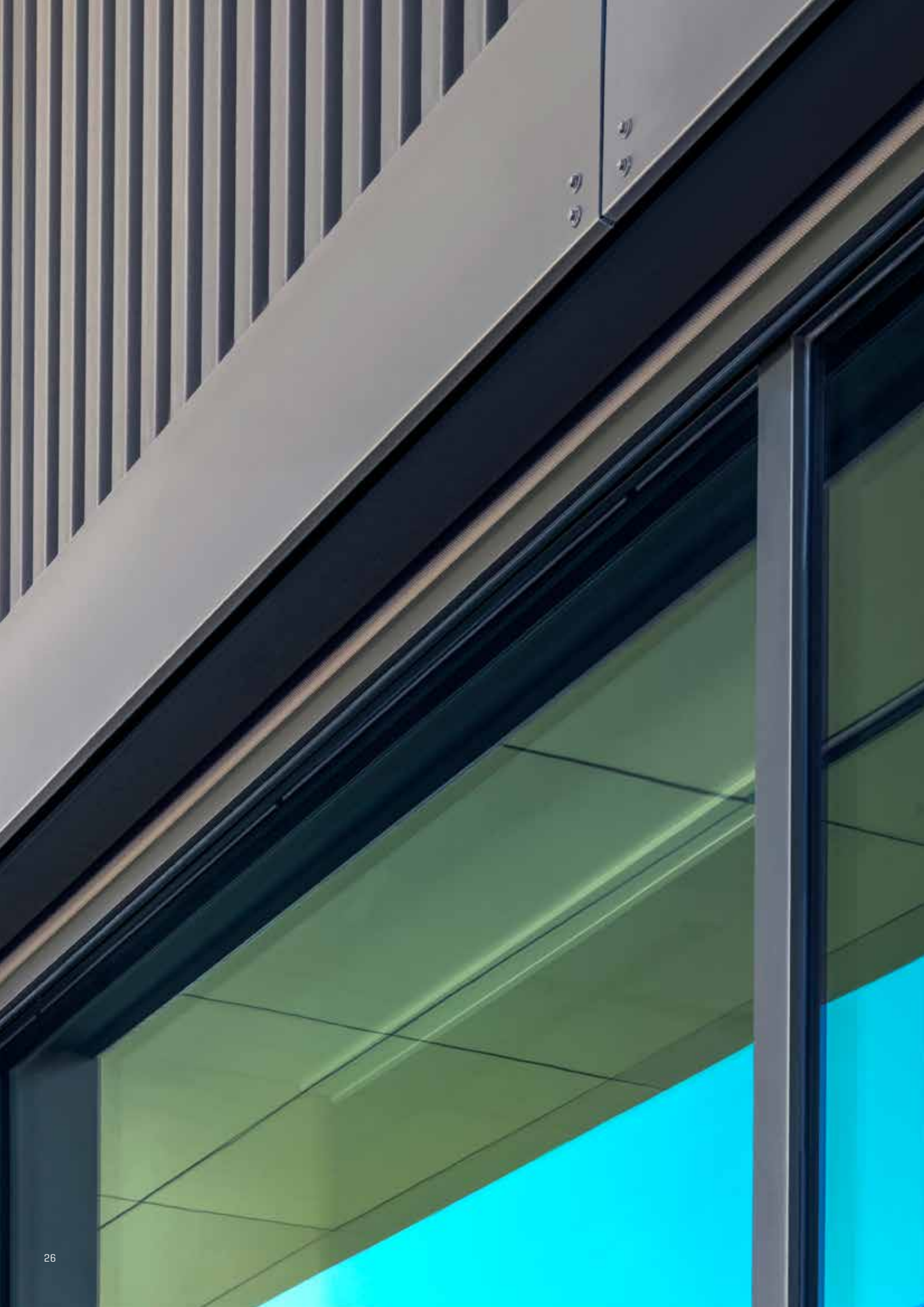
\* Applicable in innovation projects for mounting coupling side guiding channel C.60 Renovation directly on cover

# TECHNICAL DRAWINGS WITH COUPLING SIDE GUIDING CHANNEL C.60 RENOVATION – MOUNTING BY MEANS OF MOUNTING BLOCK\*



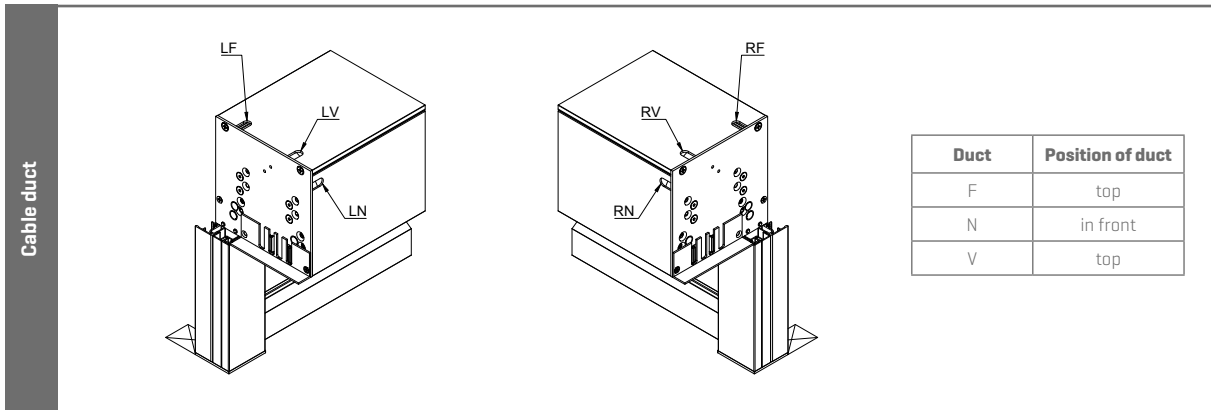
**Note:** spacer can be provided according to the type of cover profile





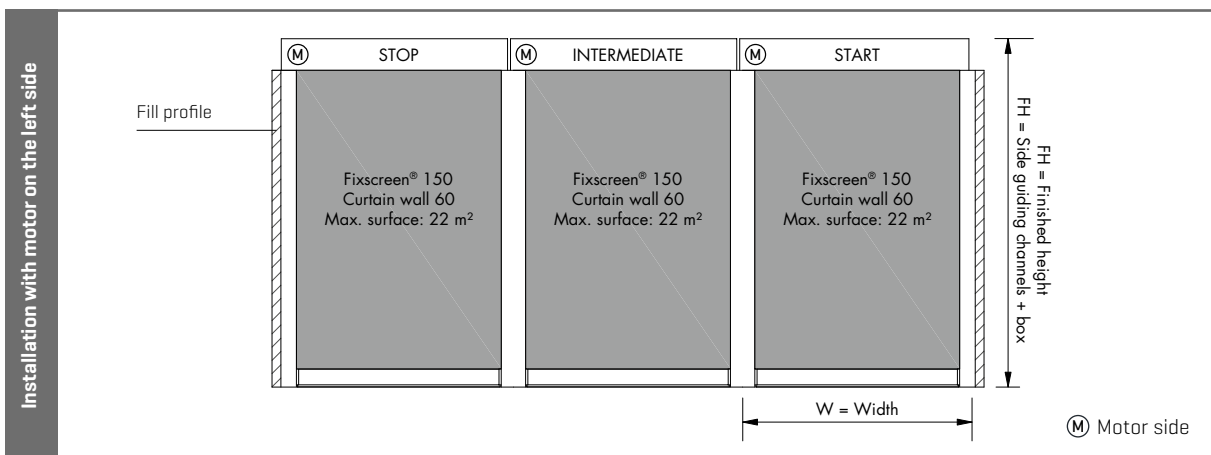
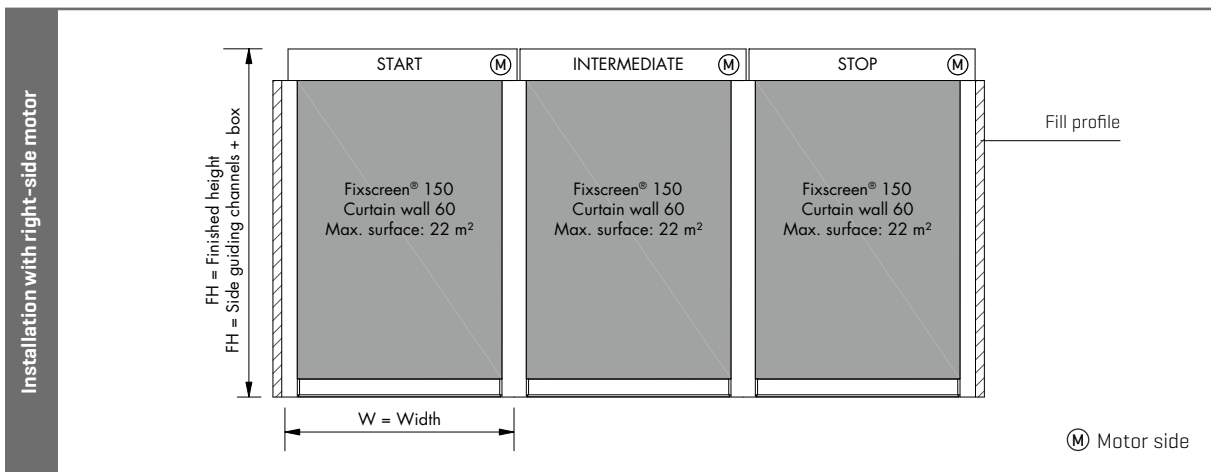


# TECHNICAL DRAWINGS WITH COUPLING SIDE GUIDING CHANNEL C.60 RENOVATION – MOUNTING BY MEANS OF MOUNTING BLOCK\*



\* Applicable in innovation projects for mounting coupling side guiding channel C.60 Renovation directly on cover

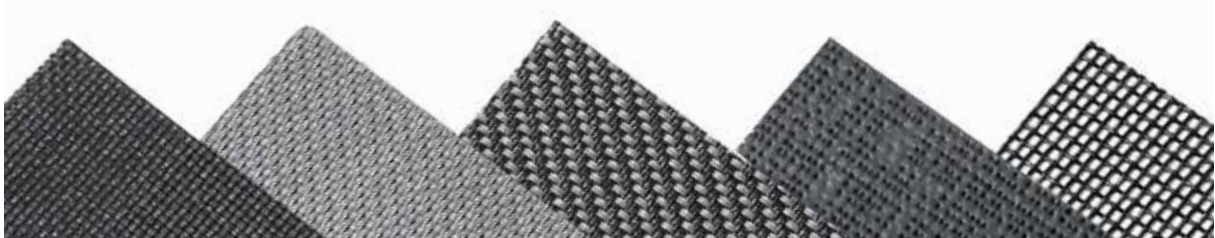
## TECHNICAL DRAWINGS - DIMENSIONS



Fixscreen® 150 Curtain Wall 60

# FABRICS

Renson® has a wide range of fabrics: polyester, fibreglass fabrics and blackout fabrics. Fabric screens contribute a decorative aspect in addition to performing their functional role, of providing protection from sunlight. This enables them to seamlessly integrate into the architecture of the home. The screens also have a very long service life, and keep insects out. The fabrics are distinguished on the basis of their transparency and translucency, with a wide range of options therein. It is possible to have a suitable type of fabric for every application, due to their specific characteristics, and the wide range of fabric colours available.



# RENSON® COLOURS

We offer a wide range of colours. Available as standard in approximately 100 different colours with gloss level 70%, gloss level 30%, or textured coating. This ensures that sun protection fabric always integrates seamlessly with the style of the building. The choice is yours: a glossy or matt version, or a trendy textured coating that is not only wear and scratch-resistant but also easy to maintain.



# WARRANTY

Renson® exclusively uses high-quality materials. Your customer is therefore assured of an extended warranty period on all parts, thereby ensuring absolute peace of mind.

- **10-year** warranty on all coatings on the aluminium elements.
- **7-year** warranty on the Fixscreen technology (zip must remain in side guiding channel + optimal connection between zip and screen).
- **5-year** product warranty on normal home use and regular maintenance.











RENSON® Headquarters  
Maalbeekstraat 10, IZ 2 Vijverdam, B-8790 Waregem, Belgium  
Tel. +32 56 30 30 00  
info@renson.eu  
www.renson.eu

