





Astro Carbon

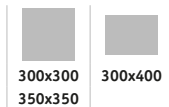
I
Connubio tra il futuro e il classico.
Adatto per tutti gli ambienti.
Telaio in alluminio con effetto graffite metallizzato.

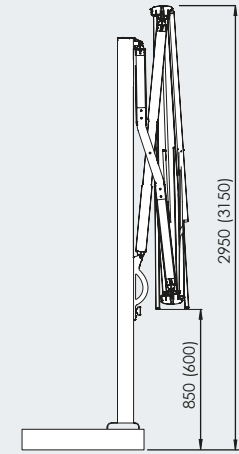
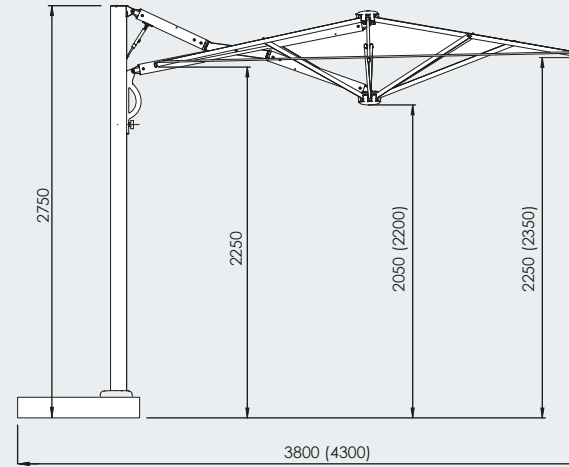
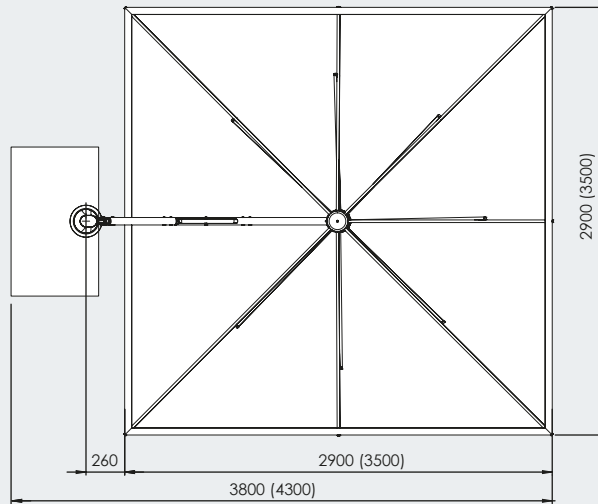
EN
Marriage between the future and the classic.
Suitable for all environments.
Aluminium frame with metallic graphite effect

D
Kombinat von Zukunft und Klassiker.
Geeignet fuer alle Bereiche.
Aluminiumgestell mit Graphiteffekt.

F
Mariage entre l'avenir et le Classique.
Pour tous les environnements. Aranture en aluminium
avec effet graphite métallique

E
Connubio entre el future y el classico.
Por todos los ambientes.
Marco de aluminio con efecto grafito metalizado.

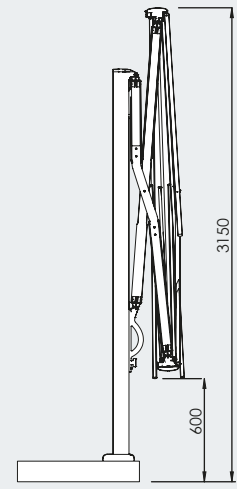
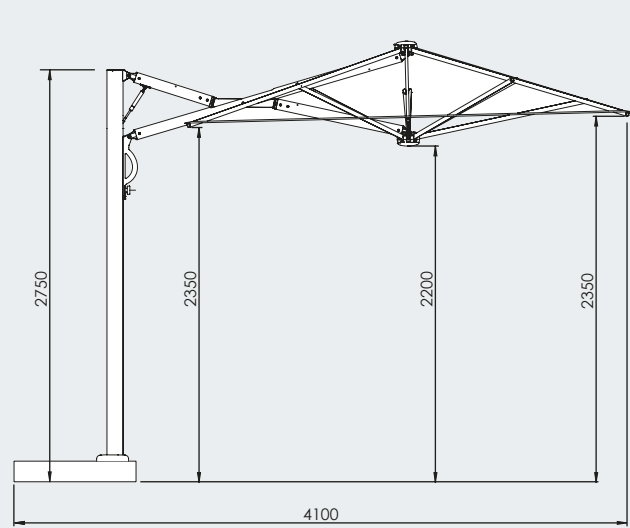
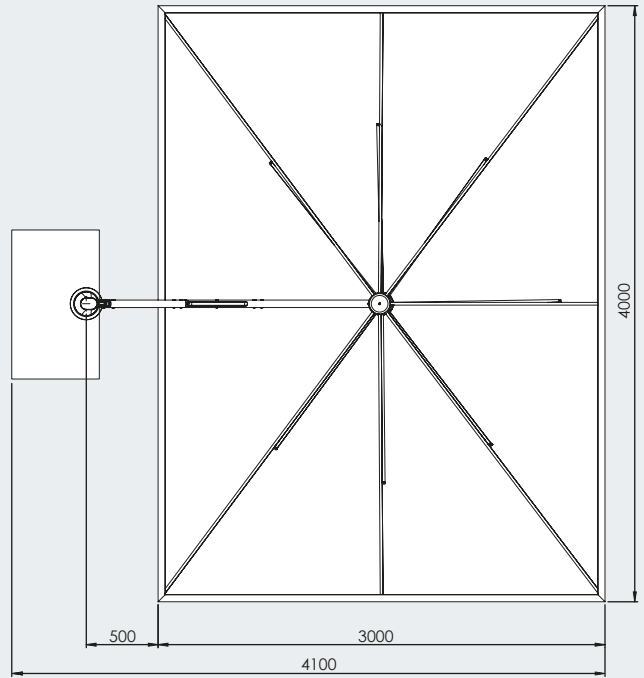




Astro

Timber
StarWhite
Carbon
Titanium

| | | CHARACTERISTICS | | | | | | | | | | FINISHING | | | | | |
|---------|---------------------|-----------------|------|--------|-----------|----|-----------|-------|---|------|----|-----------|---|---|------|--|--|
| ↕ | COD | KG | MP | 🏠 | 🌳 | ☀️ | 📦 | 📐 | 👤 | 360° | ⚙️ | 🔗 | 🔧 | 📐 | INOX | | |
| 3,0x3,0 | TIMBER C3030 ASL | 55 | 0,45 | 110x76 | TIMBER | 8 | TIMBER | 18x30 | ● | ● | ● | ● | ● | ● | ● | | |
| | STARWHITE C3030 ASW | | | | STARWHITE | | STARWHITE | | | | | | | | | | |
| | CARBON C3030 ASC | | | | CARBON | | CARBON | | | | | | | | | | |
| | TITANIUM C3030 AST | | | | TITANIUM | | TITANIUM | | | | | | | | | | |
| 3,5x3,5 | TIMBER C3535 ASL | 60 | 0,45 | 110x76 | TIMBER | 8 | TIMBER | 18x30 | ● | ● | ● | ● | ● | ● | ● | | |
| | STARWHITE C3535 ASW | | | | STARWHITE | | STARWHITE | | | | | | | | | | |
| | CARBON C3535 ASC | | | | CARBON | | CARBON | | | | | | | | | | |
| | TITANIUM C3535 AST | | | | TITANIUM | | TITANIUM | | | | | | | | | | |
| 3,0x4,0 | TIMBER C3040 ASL | 60 | 0,45 | 110x76 | TIMBER | 8 | TIMBER | 18x30 | ● | ● | ● | ● | ● | ● | ● | | |
| | STARWHITE C3040 ASW | | | | STARWHITE | | STARWHITE | | | | | | | | | | |
| | CARBON C3040 ASC | | | | CARBON | | CARBON | | | | | | | | | | |
| | TITANIUM C3040 AST | | | | TITANIUM | | TITANIUM | | | | | | | | | | |



| | | | | | | | |
|-----|-----|-----|-----|-----|-----|-----|-----|
| | | | | | | | |
| A1 | T2 | T3 | T6 | T7 | T8 | T9 | S1 |
| | | | | | | | |
| A1N | T2N | T3N | T6N | T7N | T8N | T9N | S1N |
| | | | | | | | |
| A1N | T2N | T3N | T6N | T7N | T8N | T9N | S1N |
| | | | | | | | |
| A1N | T2N | T3N | T6N | T7N | T8N | T9N | S1N |

| | |
|---|---|
| | |
| • | • |
| • | • |
| • | • |

OPTIONAL

N°4 BC5151
N°12 BC5050

N°2 BV5050

SEE PAGE 34
FISSAGGIO TERRA
GROUND FIXING

Fabric collection



FATTORE DI PROTEZIONE SOLARE

Limita il passaggio del calore per più del 70%.
Normativa UNI EN 410:2011

SOLAR PROTECTION FACTOR

Harmful UV rays and limiting heat circulation
Norm UNI EN 410:2011



FATTORE DI PROTEZIONE LUMINOSA

Indica la percentuale di trasmissione della luce
Normativa UNI EN 410:2011

FACTOR OF SOLAR LIGHT PROTECTION

% of light transmission
Norm UNI EN 410:2011



FATTORE DI PROTEZIONE UPF

Protezione dai raggi UV. (UPF) dal 85% al 100%
Normativa UNI EN 13758-1:2007

UPF PROTECTION FACTOR





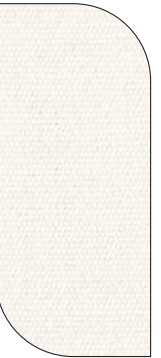






Harmful UV rays. (UPF) from 85% almost 100%
Norm UNI EN 13758-1:2007

SCHEDA TECNICA / DATA SHEET

| COMPOSIZIONE / COMPOSITION | CARATTERISTICHE / FINISHING | SOLIDITÀ AL COLORE / COLOR FASTNESS | TRATTAMENTO / TREATMENT | IMPERMEABILITÀ / COLONNA D'ACQUA IMPERMEABILITY / WATER COLUMN |
|-------------------------------|---|--|--------------------------------------|---|
| 350 gr/m2 100% ACRYL | Inattaccabile da muffe e batteri. Solido alla luce Permeabile all'aria Antimacchia | GRADO 7/8 ENSIO 105-B04 | RESINE TEFLON IDRO-OLEOREPELLENZA | CIRCA 25 CM |
| 350 gr/m2 100% ACRYL | Resistant to mold and bacteria. Color fast. Breathable. Stain REPELLENT. | GRADE 7/8 ENSIO 105-B04 | TEFLON RESIN WATER-OILREPELLENCY | ABOUT 25 CM |



Fabric collection

| | | | | | | | | |
|---|---|---|--|---|---|---|---|---|
| |  |  |  |  |  |  |  |  |
| 350 GR/M² ACRYLIC | A1 ECRU NATURAL COL. NATUR | T2 TERRACOTTA ZIEGELROT TERRACOTTA | T3 BORDEAUX | T6 GRIGIO TAUPE GREY TAUPE GRAU TAUPE GRIS TAUPE GRIJS TAUPE | T7 BIANCO WHITE BLANC WEISS | T8 GRIGIO PERLA SILVER GREY SILBERGRAU | T9 GRIGIO ANTRACITE ANTHRACIT GREY ANTHRACITGRAU | S1 NERO / BLACK SCHWARZ NOIRE NEGRO ZWART |
|  | 70/80% | > 90% | > 90% | > 90% | 70/80% | > 90% | > 90% | > 90% |
|  | 20/30% | < 10% | < 10% | < 10% | 20/30% | < 10% | < 10% | < 10% |
|  | 85/89% | 100% | 100% | 100% | 85/89% | 100% | 100% | 100% |

I dati forniti, pur essendo frutto di misurazioni scientifiche condotte in laboratori certificati, sono da ritenersi indicativi.
The above mentioned data are indicative, although provided by scientific measurements performed in certified laboratories.



.Dimensione (metri)
 .Dimensions (meters)
 .Masse (Meter)
 .Dimensions (metrès)
 .Dimensiones (en metros)
 .Afmeting in (meters)



.Stecche
 .Ribs
 .Streben
 .Baleines
 .Varillas
 .Baleinen



.Sistema retrattile
 .Retractile system
 .Einziehbares System
 .Système retractile
 .Sistema retráctil
 .Inklapbaar systeem



.Massima Stabilità Ottenibile
 .Maximum Obtainable Stability
 .Maximal Erhaeltliche Stabilitaet
 .Maximum De Stabilitée Realisable
 .Maxima Estabilidad Posible
 .Maximaal Bereikbare Stabilitée



.Codice
 .Code
 .Artikelcode
 .Code
 .Código
 .Artikelcode



.Set canaline
 .Raugutter set
 .Regrinnen
 .Set gouttières
 .Canalizador Lluvias
 .Set regengoten



.Piastre cemento
 .Cement slabs
 .Kiesbetonplatten
 .Dalles ciment
 .Planchas de cemento
 .Betontegel



.Peso consigliato in condizioni normali
 .Recommended weight in normal condition
 .Empfohlenes gewicht unter normalen bedingungen
 .Poids recommande dans des conditions normales
 .Peso recomendado en condiciones normales
 .Aanbevolen gewicht onder normale omstandigheden



.Lunghezza
 .Length
 .Laenge
 .Longueur
 .Longitud
 .Lengte



.Con base/supporto
 .With base/support
 .Mit Staender/Huelse
 .Avec base/support
 .Con base/ soporte
 .Inclusief standaard



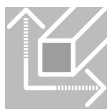
.Stecca con sistema "easy change"
 .Ribs with "easy change" system
 .Streben mit "easy change" System
 .Baleines avec "easy change" système
 .Varillas con sistema de " cambio fácil"
 .Baleinen met het "easy change" systeem



.Peso minimo richiesto
 .Minimum ballast required
 .Erforderliches mindestgewicht
 .Poids minimum requis
 .Peso minimo requerido
 .Minimaal vereist gewicht



.Peso
 .Weight
 .Gewicht
 .Poids
 .Peso
 .Gewicht



.Sezione stecche
 .Rib section
 .Strebenprofil
 .Section baleines
 .Sección varillas
 .Profil baleinen



.Viteria in inox e ottone nichelato
 .Screws in Stainless steel and nickel plated brass
 .Edelstahlschrauben und vernickeltes Messing
 .Visserie inox et laiton nickelé
 .Tornillos en acero inoxidable y bronce niquelado
 .Schroeven van rvs en vernikkeld messing



.Volume (m³)
 .Volume (m³)
 .Volumen (m³)
 .Volume (m³)
 .Volumen (m³)
 .Volume (m³)



.Camino antivento
 .Wind cap
 .Windfang
 .Souffle
 .Chimenea antiviento
 .Windvang



.Tipo finitura della struttura/sostegno/componenti
 .Finishing for frame/structure/components
 .Ausfuehrung des Gestells/der Struktur/der Bestandteile
 .Finition armature/structure/composants
 .Tipo de acabado de la estructura/Soportes/componente



.Sezione sostegno (mm)
 .Support section (mm)
 .Mastprofil (mm)
 .Section support (mm)
 .Sección soporte (mm)
 .Mast (mm)



.Fodero
 .Cover bag
 .Schutzhuelle
 .Housse
 .Forro
 .Afdekhoes



.Colore dei componenti/stecche
 .Component/Ribs colour
 .Farbe der Bestandteile und Streben
 .Couleur des composants et baleines
 .Color de los componentes ò piezas/Varillas ò listones