
SELF-SUPPORTING THERMAL PROFILE SYSTEM (warm roof)

CLIMAX

The self-supporting Climax system offers numerous possibilities: a roof between two walls, various shapes, gutter and post types, with and without integrated water drainage, finish with rubber strips, clips, various side finishes, oblique closure with side walls, etc. There is always a solution that's right for you.

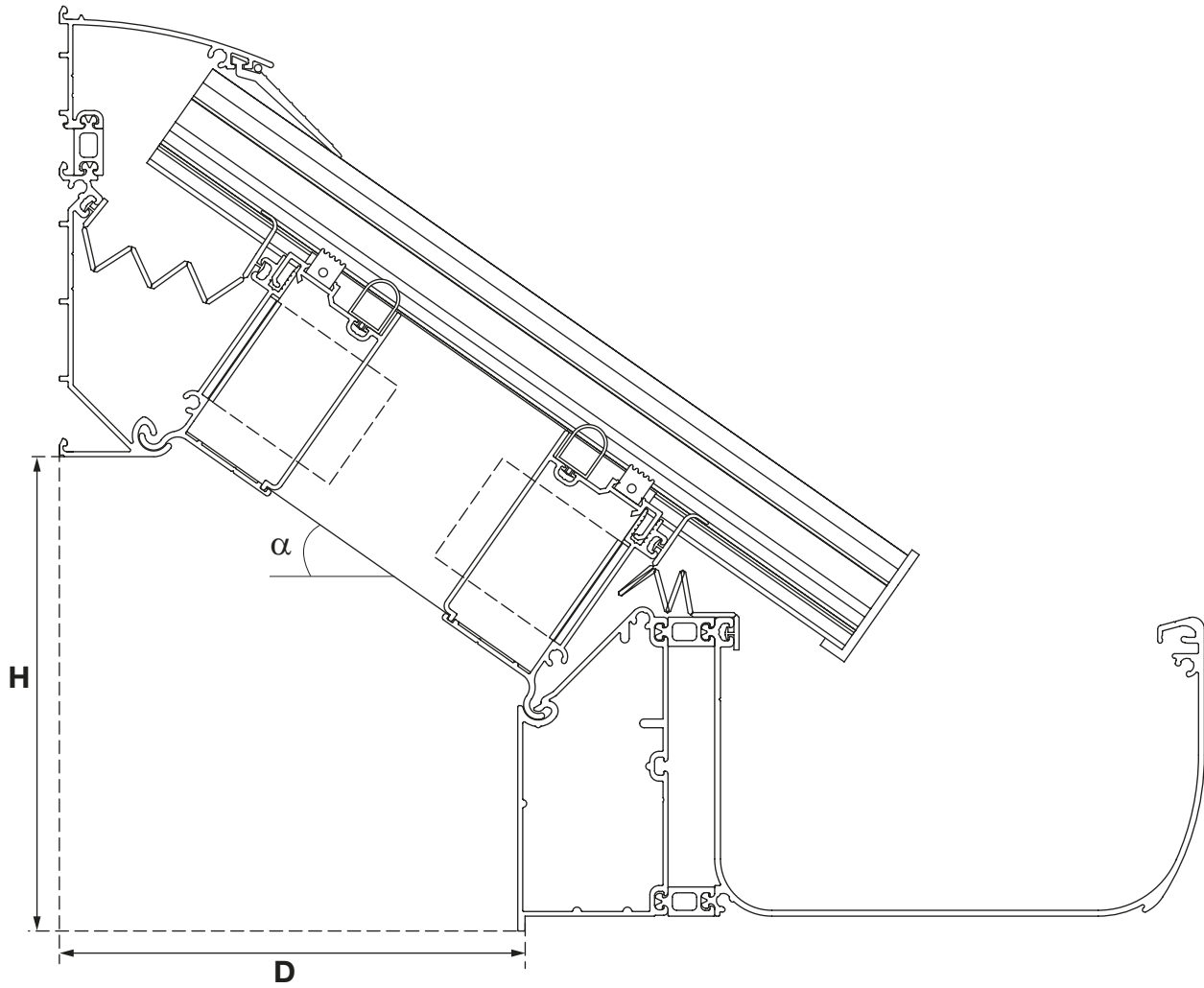
Provided the raised GD2 gutter support is used, the Climax roof is self-supporting up to 7m in width between two posts (with 16mm plastic sheets and a depth of 3m). It is self-supporting up to 6m in depth. The roof pitch is variable between 5° and 45°.

Both 16 and 32mm thick (insulating) plastic sheets or max. 34mm thick glass can be used as glazing for your thermal Climax roof.

- 2 standard RAL colours: white RAL 9010 & anthracite RAL 7016 ST. Delivery time: max. 3 weeks.
- 6 "trend" RAL colours: cream white RAL 9001, black RAL 9005 ST, white aluminium RAL 9006 ST, grey aluminium RAL 9007 ST, RAL 9009 ST (DB703) & purple red RAL 3004. Surcharge: € 150 net. Delivery time: 6 weeks.
- Other RAL colours: see p. 8 & 9 (price on request). Delivery time: 6 weeks.

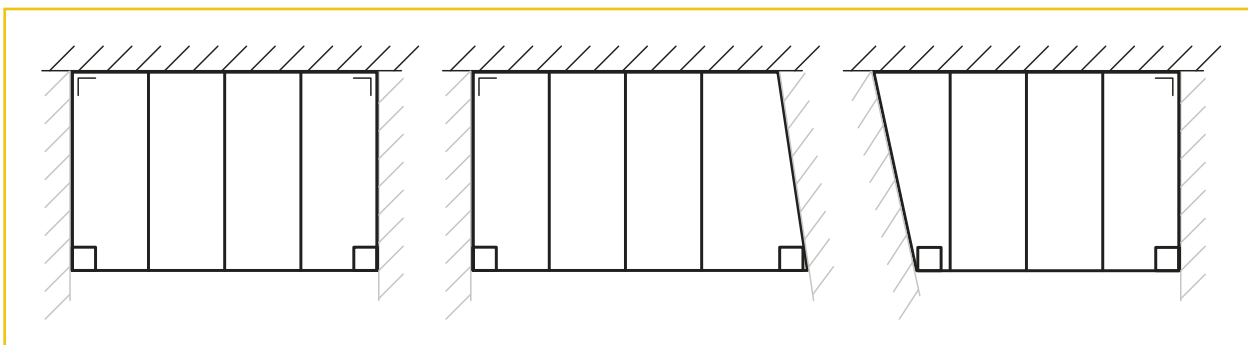
Climax can also be provided with Climaled (see p. 51 & 52).





Options

- Width B: ∞
- Depth D: max. 6m with steel reinforcement
- Pitch α: 5° to 45°



Quick calculator Climax thermal

Info:

- Aluminium profile system with gutter G+GD and aluminium clips
- 2, 3 or 4 posts 110 x 197 x 2500mm are included in the price
- 2 standard RAL colours: white RAL 9010 & anthracite RAL 7016 ST – delivery time: max. 3 weeks.
- 6 "trend" RAL colours: cream white RAL 9001, black RAL 9005 ST, white aluminium RAL 9006 ST, grey aluminium RAL 9007 ST, RAL 9009 ST (DB703) & purple red RAL 3004 – surcharge: € 150 net – delivery time: 6 weeks.
- Other RAL colours: see p. 8 & 9 (price on request) – delivery time: 6 weeks.
- Plastic sheets or glass not included in the price
- Maximum deflection of the profiles: 1/200
- Drainpipe and accessories included

Calculate the price as follows:

- Measure the roof's width B (mm) and depth D (mm).
- Select the next size up in the table and read off the prices of the profiles.
- Multiply the sheet or glass area, indicated in the same box, by the price/m² of the sheet (see p. 72-75) or the glass (not supplied by Skylux).

For sheets

CLIMAX THERMAL prepared for 32mm thick and 980mm wide multi-walled sheets (350 N/m ² snow load & pitch 8°)								
Width 'B' (in mm) → ↓ Depth 'D' (in mm)	3000	4000	5000	6000	7000	8000	9000	10000
2303 (2500mm incl. support)	€ 2286	€ 2596	€ 3157	€ 3648	€ 3836	€ 4393	€ 4814	€ 5296
#m ² sheets	7.5	9.8	12.3	14.7	17.2	19.6	22.1	24.5
2803 (3000mm incl. support)	€ 2411	€ 2781	€ 3327	€ 3841	€ 4052	€ 4709	€ 5243	€ 5581
#m ² sheets	8.8	11.8	14.7	17.6	20.6	23.5	26.5	29.4
3303 (3500mm incl. support)	€ 2634	€ 3066	€ 3674	€ 4249	€ 4522	€ 5240	€ 5837	€ 6236
#m ² sheets	10.3	13.7	17.2	20.6	24.0	27.4	30.9	34.3
3803 (4000mm incl. support)	€ 2768	€ 3453	€ 3854	€ 4452	€ 4825	€ 5726	€ 6109	€ 6531
#m ² sheets	11.8	15.7	19.6	23.5	27.4	31.4	35.3	39.2
4303 (4500mm incl. support)	€ 3243	€ 3997	€ 4479	€ 5163	€ 5601	€ 6583	€ 7069	€ 7747
#m ² sheets	13.2	17.6	22.1	26.5	30.9	35.3	39.7	44.1
4803 (5000mm incl. support)	€ 3304	€ 4073	€ 4570	€ 5270	€ 5723	€ 6720	€ 7221	€ 7914
#m ² sheets	14.7	19.6	24.5	29.4	34.3	39.2	44.1	49.0
5303 (5500mm incl. support)	€ 3402	€ 4213	€ 4751	€ 5491	€ 5985	€ 7024	€ 7566	€ 8182
#m ² sheets	17.6	23.5	29.4	35.3	41.2	47.0	52.9	58.8
5803 (6000mm incl. support)	€ 3462 *	€ 4288 *	€ 4841 *	€ 5597 *	€ 6260 *	€ 7160 *	€ 7717 *	€ 8348 *
#m ² sheets	17.1	23.5	29.4	35.3	41.2	47	52.9	58.8
Number of supports (included)	2 supports		3 supports			4 supports		

Please note: these prices are indicative and not binding!

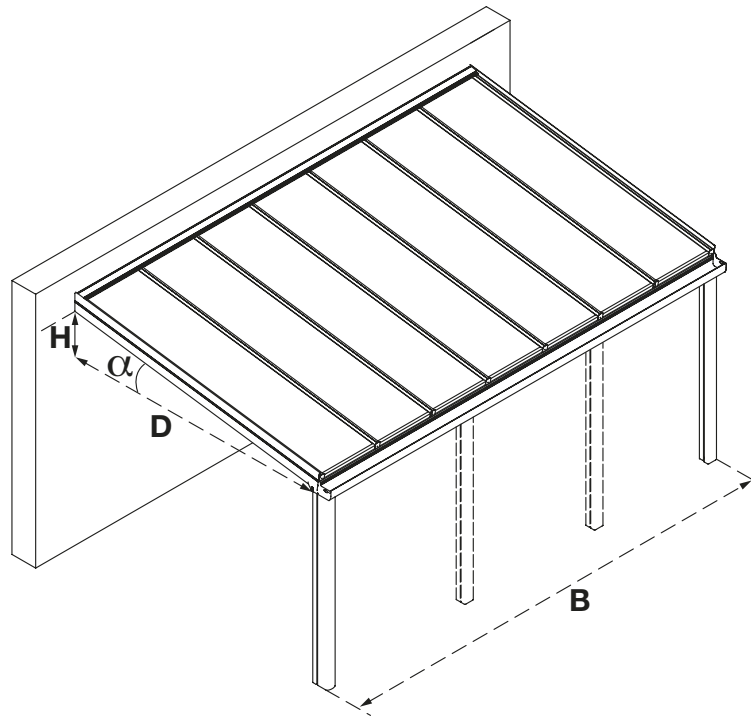
* Please provide steel reinforcement V1044 in the rafters.

Most sold sheets for this system:

Top X6 - 32mm : € 65.40/m² gross

Top X11 EP - 32mm : € 67.40/m² gross

Relax - 32mm : € 70.80/m² gross



For glass

CLIMAX THERMAL prepared for 32mm thick glass (1000 N/m ² snow load & pitch 8°)									
Width 'B' (in mm) → ↓ Depth 'D' (in mm)	3000	4000	5000	6000	7000	8000	9000	10000	
2303 (2500mm incl. support)	€ 2632	€ 3192	€ 3555	€ 4405	€ 4638	€ 5574	€ 6048	€ 6315	
#m ² glass panels	6.9	9.2	11.5	13.9	16.2	18.5	20.8	23.2	
Number of supports	2 supports	3 supports		4 supports			5 supports		
2803 (3000mm incl. support)	€ 2970	€ 3538	€ 3937	€ 4689	€ 4933	€ 5945	€ 6431	€ 6819	
#m ² glass panels	8.3	11.1	13.9	16.8	19.6	22.4	25.2	28.1	
3303 (3500mm incl. support)	€ 3191	€ 3871	€ 4308	€ 5097	€ 5472	€ 6569	€ 7124	€ 7458	
#m ² glass panels	9.7	13.0	16.3	19.7	23.0	24.8	29.6	32.9	
3803 (4000mm incl. support)	€ 3359	€ 4095	€ 4571	€ 5373	€ 5791	€ 6945	€ 7517	€ 8081	
#m ² glass panels	11.2	14.9	18.8	22.6	26.4	30.2	34.0	37.8	
4303 (4500mm incl. support)	€ 4426	€ 5663	€ 6572	€ 7446	€ 8115	€ 9769	€ 10591	€ 11411	
#m ² glass panels	12.6	16.8	21.2	25.5	29.8	34.0	38.4	42.7	
4803 (5000mm incl. support)	€ 4426 *	€ 5701 *	€ 6572 *	€ 7503 *	€ 8346 *	€ 9845 *	€ 10591 *	€ 11506 *	
#m ² glass panels	14.1	18.8	23.6	28.4	33.3	37.9	42.8	47.6	
Number of supports	3 supports		4 supports		5 supports			6 supports	
# of glass panels	4	6	7	8	9	11	12	13	

Please note: these prices are indicative and not binding!

* Please provide steel reinforcement PL105 (100 x 5mm) in the rafters.