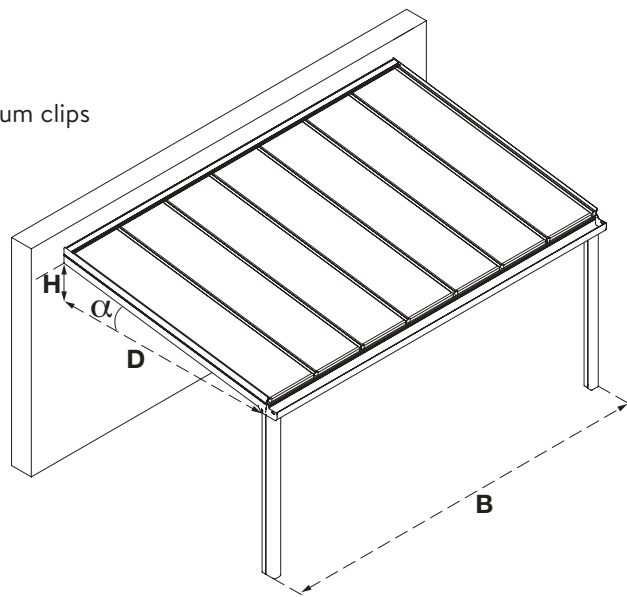


Quick calculator Climax Panorama

Info:

- Aluminium profile system with Panorama gutter and aluminium clips (screwable for glass)
- 2, 3 or 4 posts 110 x 181 x 2500mm are included in the price
- 2 standard RAL colours: white RAL 9010 & anthracite RAL 7016 ST – delivery time: max. 3 weeks.
- 6 "trend" RAL colours: cream white RAL 9001, black RAL 9005 ST, white aluminium RAL 9006 ST, grey aluminium RAL 9007 ST, RAL 9009 ST (DB703) & purple red RAL 3004 – surcharge: € 150 net – delivery time: 6 weeks.
- Other RAL colours: see p. 8 & 9 (price on request) – delivery time: 6 weeks.
- Plastic sheets or glass not included in the price
- Maximum deflection of the profiles: 1/200 for sheets and 8mm glass
- Drainpipe and accessories included



Calculate the price as follows:

- Measure the roof's width B (mm) and depth D (mm).
- Select the next size up in the table and read off the prices of the profiles.
- Multiply the sheet or glass area, indicated in the same box, by the price/m² of the sheet (see p. 72-75) or the glass (not supplied by Skylux).

For 16mm sheets

CLIMAX PANORAMA prepared for 16mm thick and 980mm wide multi-walled sheets (650 N/m ² snow load & pitch 5°)								
Width 'B' (in mm) → ↓ Depth 'D' (in mm)	3000	4000	5000	6000	7000	8000	9000	10000
2319 (2500mm incl. support)	€ 2631	€ 2958	€ 3302	€ 3852	€ 4166	€ 5155	€ 5713	€ 5998
#m ² sheets	7.4	9.8	12.3	14.7	17.2	19.6	22.1	24.1
2819 (3000mm incl. support)	€ 2745	€ 3082	€ 3470	€ 4029	€ 4387	€ 5386	€ 5987	€ 6283
#m ² sheets	8.8	11.8	14.7	17.6	20.6	23.5	26.5	29.4
3319 (3500mm incl. support)	€ 2862	€ 3209	€ 3642	€ 4212	€ 4898	€ 5623	€ 6270	€ 6575
#m ² sheets	10.3	13.7	17.2	20.6	24.0	27.4	30.9	34.3
3819 (4000mm incl. support)	€ 2976	€ 3350	€ 3809	€ 4406	€ 5119	€ 5871	€ 6544	€ 6877
#m ² sheets	11.8	15.7	19.6	23.5	27.4	31.4	35.3	39.2
4319 (4500mm incl. support)	€ 3206	€ 3633	€ 4146	€ 4796	€ 5563	€ 6369	€ 7095	€ 7481
#m ² sheets	13.2	17.6	22.1	26.5	30.9	35.3	39.7	44.1
4819 (5000mm incl. support)	€ 3988	€ 4610	€ 5319	€ 6164	€ 7126	€ 8127	€ 9049	€ 9631
#m ² sheets	14.7	19.6	24.5	29.4	34.3	39.2	44.1	49.0
5319 (5500mm incl. support)	€ 4224	€ 4903	€ 5668	€ 6852	€ 7587	€ 8645	€ 9623	€ 10259
#m ² sheets	17.6	23.5	29.4	35.3	41.2	47.0	52.9	58.8
Number of supports*	2 supports			3 supports				

Please note: these prices are indicative and not binding!

* For larger spans, you can always reinforce the gutter with a steel reinforcement profile IPE120.

Most sold 16mm sheets for this system:

Top X5 - 16mm : € 41.90/m² gross

Top X6 - 16mm : € 44.80/m² gross

Reflex - 16mm : € 46.90/m² gross

Alltop - 16mm : € 78.30/m² gross

For glass

CLIMAX PANORAMA prepared for 8mm LSG (850 N/m ² snow load & pitch 5°)								
Width 'B' (in mm) → ↓ Depth 'D' (in mm)	3000	4000	5000	6000	7000	8000	9000	10000
2319 (2500mm incl. support)	€ 3012	€ 3520	€ 3852	€ 4444	€ 5064	€ 5990	€ 6654	€ 6833
#m ² glass panels	6.9	9.2	11.5	13.9	16.2	18.5	20.8	23.2
2819 (3000mm incl. support)	€ 3142	€ 3708	€ 4101	€ 4691	€ 5371	€ 6357	€ 7024	€ 7259
#m ² glass panels	8.3	11.1	13.9	16.8	19.6	22.4	25.2	28.1
3319 (3500mm incl. support)	€ 3276	€ 3902	€ 4345	€ 5226	€ 5679	€ 6723	€ 7394	€ 7685
#m ² glass panels	9.7	13.0	16.3	19.7	23.0	24.8	29.6	32.9
3819 (4000mm incl. support)	€ 3425	€ 4111	€ 4600	€ 5501	€ 5990	€ 7100	€ 7790	€ 8122
#m ² glass panels	11.2	14.9	18.8	22.6	26.4	30.2	34.0	37.8
4319 (4500mm incl. support)	€ 3743	€ 4547	€ 5095	€ 6052	€ 6602	€ 7812	€ 8562	€ 8950
#m ² glass panels	12.6	16.8	21.2	25.5	29.8	34.0	38.4	42.7
4819 (5000mm incl. support)	€ 4720	€ 5915	€ 6658	€ 7814	€ 8562	€ 10176	€ 11125	€ 11712
#m ² glass panels	14.1	18.8	23.6	28.4	33.3	37.9	42.8	47.6
5319 (5500mm incl. support)	€ 5044	€ 6367	€ 7454	€ 8389	€ 9199	€ 10927	€ 11935	€ 13013
#m ² glass panels	15.5	20.7	26.0	31.3	36.7	41.8	47.1	52.4
Number of supports*	2 supports				3 supports			4 supports
# of glass panels	4	6	7	8	9	11	12	13

Please note: these prices are indicative and not binding!

* For larger spans, you can always reinforce the gutter with a steel reinforcement profile IPE120.

OPTIONAL	(mm)	3500	5000	6000	7000
Cross-section GDX for freestanding version		€ 449	€ 632	€ 753	€ 875
	(mm)	2500	3250	5000	6500
Support for cross-section GDX 110 x 110mm*		€ 194	€ 233	€ 323	€ 401

* Please install the posts 40cm deep into the concrete