

Quick calculator Climacrown

Info:

- Aluminium profile system with Classic gutter and aluminium push clips
- 2, 3 or 4 posts 110 x 141 x 2500mm are included in the price
- Roof pitch of 5°
- 2 standard RAL colours: white RAL 9010 (code RWB964) and anthracite grey RAL 7016 ST (code 029/71334) – delivery time: max. 3 weeks
- 6 “trend” RAL colours: cream white RAL 9001 (code AE70019220225), black RAL 9005 ST (code AE03054900520), white aluminium RAL 9006 ST (code 029/90146) , grey aluminium RAL 9007 ST (code 029/90147), RAL 9009 ST (DB703) (code 029/80077) & purple red RAL 3004 (code AE70013720125) – surcharge: € 150 net – delivery time: 6 weeks
- Other RAL colours: see p. 8 & 9 (price on request) – delivery time: 6 weeks
- Plastic sheets or glass not included in the price
- Maximum deflection of the profiles: 1/200
- Drainpipe and accessories included
- The crown profile is modular and the profiles are max. 7 meters long
- Height of the crown profile depends on the roof's depth and is built in stages of 75mm
- We also deliver all profiles and assembly accessories
- There are no visible screws on the outside of the crown profile
- LED lighting can be provided in the Climacrown

Calculate the price as follows:

- Measure the roof's width B (mm) and depth D (mm).
- Select the next size up in the table and read off the prices of the profiles.
- Multiply the sheet or glass area, indicated in the same box, by the price/m² of the sheet (see p. 72-75) or the glass (not supplied by Skylux).

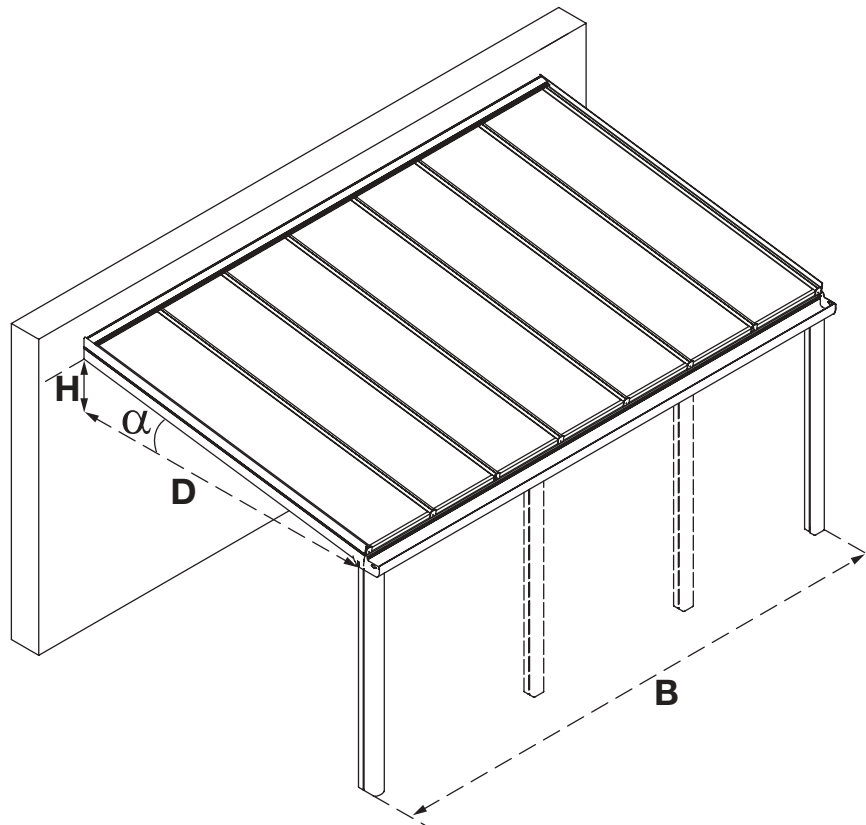
For sheets

CLIMALUX with CLIMACROWN prepared for 16mm thick and 980mm wide multi-walled sheets (650 N/m ² snow load & pitch 5°)						
Width 'B' (in mm) → ↓ Depth 'D' (in mm)	3000	4000	5000	6000	7000	Climacrown height
2359 (2500mm incl. support) #m ² sheets	€ 2774 7.4	€ 3070 9.8	€ 3586 12.3	€ 4079 14.7	€ 4467 17.2	385mm
2859 (3000mm incl. support) #m ² sheets	€ 3002 8.8	€ 3355 11.8	€ 3869 14.7	€ 4440 17.6	€ 4826 20.6	460mm
3359 (3500mm incl. support) #m ² sheets	€ 3376 10.3	€ 3759 13.7	€ 4303 17.2	€ 4905 20.6	€ 5321 24.0	460mm
3859 (4000mm incl. support) #m ² sheets	€ 3740 11.8	€ 4333 15.7	€ 4783 19.6	€ 5453 23.5	€ 5901 27.4	535mm
4359 (4500mm incl. support) #m ² sheets	€ 4030 13.2	€ 4798 17.6	€ 5309 22.1	€ 6056 26.5	€ 6563 30.9	610mm
Number of supports	2 supports		3 supports			

Please note: these prices are indicative and not binding!

Most sold sheets for this system:

- Top X5 - 16mm : € 41.90/m² gross
- Top X6 - 16mm : € 44.80/m² gross
- Reflex - 16mm : € 46.90/m² gross
- Alltop - 16mm : € 78.30/m² gross



For glass

CLIMALUX with CLIMACROWN prepared for 8mm LSG (850 N/m ² snow load & pitch 5°)						
Width 'B' (in mm) → ↓ Depth 'D' (in mm)	3000	4000	5000	6000	7000	Climacrown height
2359 (2500mm incl. support) #m ² glass panels	€ 2943 6.9	€ 3571 9.2	€ 3953 11.6	€ 4436 13.9	€ 4814 16.3	385mm
2859 (3000mm incl. support) #m ² glass panels	€ 3200 8.3	€ 3916 11.1	€ 4296 14.0	€ 4857 16.8	€ 5234 19.7	460mm
3359 (3500mm incl. support) #m ² glass panels	€ 3605 9.8	€ 4381 13.0	€ 4791 16.4	€ 5383 19.8	€ 5914 23.1	460mm
3859 (4000mm incl. support) #m ² glass panels	€ 3999 11.2	€ 4890 15.0	€ 5331 18.8	€ 5992 22.7	€ 6554 26.5	535mm
Number of supports	2 supports		3 supports		4 supports	
# of glass panels	4	6	7	8	9	

Please note: these prices are indicative and not binding!

Option: surcharge for version with LED lighting						
Width 'B' (in mm) → ↓ Depth 'D' (in mm)	3000	4000	5000	6000	7000	Climacrown height
2359 (2500mm incl. support)	€ 518	€ 544	€ 617	€ 617	€ 658	385mm
2859 (3000mm incl. support)	€ 518	€ 553	€ 617	€ 626	€ 658	460mm
3359 (3500mm incl. support)	€ 579	€ 604	€ 678	€ 678	€ 719	460mm
3859 (4000mm incl. support)	€ 630	€ 665	€ 729	€ 738	€ 770	535mm
4359 (4500mm incl. support)	€ 639	€ 665	€ 738	€ 738	€ 779	610mm