

## Quick calculator Climalux without roof overhang

Info:

- Aluminium profile system with Classic gutter and aluminium push clips
- 2, 3 or 4 posts 110 x 141 x 2500mm are included in the price
- Roof pitch of 8°
- 2 standard RAL colours: white RAL 9010 & anthracite RAL 7016 ST – delivery time: max. 3 weeks.
- 6 "trend" RAL colours: cream white RAL 9001, black RAL 9005 ST, white aluminium RAL 9006 ST, grey aluminium RAL 9007 ST, RAL 9009 ST (DB703) & purple red RAL 3004 – surcharge: € 150 net – delivery time: 6 weeks.
- Other RAL colours: see p. 8 & 9 (price on request) – delivery time: 6 weeks.
- Plastic sheets or glass not included in the price
- Maximum deflection of the profiles: 1/200
- Drainpipe and accessories included

Calculate the price as follows:

- Measure the roof's width B (mm) and depth D (mm).
- Select the next size up in the table and read off the prices of the profiles.
- Multiply the sheet or glass area, indicated in the same box, by the price/m<sup>2</sup> of the sheet (see p. 72-75) or the glass (not supplied by Skylux).

### For sheets without roof overhang

CLIMALUX CLASSIC prepared for 16mm thick and 980mm wide multi-walled sheets (650 N/m <sup>2</sup> snow load & pitch 8°)								
Width 'B' (in mm) → ↓ Depth 'D' (in mm)	3000	4000	5000	6000	7000	8000	9000	10000
<b>2359 (2500mm incl. support)</b>	€ 1678	€ 1954	€ 2419	€ 2763	€ 3100	€ 3550	€ 3983	€ 4405
#m <sup>2</sup> sheets	7.4	9.8	12.3	14.7	17.2	19.6	22.1	24.5
<b>2859 (3000mm incl. support)</b>	€ 1803	€ 2110	€ 2604	€ 2979	€ 3347	€ 3827	€ 4368	€ 4741
#m <sup>2</sup> sheets	8.8	11.8	14.7	17.6	20.6	23.5	26.5	29.4
<b>3359 (3500mm incl. support)</b>	€ 1930	€ 2266	€ 2791	€ 3196	€ 3594	€ 4104	€ 4675	€ 5079
#m <sup>2</sup> sheets	10.3	13.7	17.2	20.6	24.0	27.4	30.9	34.3
<b>3859 (4000mm incl. support)</b>	€ 2072	€ 2563	€ 2994	€ 3429	€ 3857	€ 4661	€ 4999	€ 5433
#m <sup>2</sup> sheets	11.8	15.7	19.6	23.5	27.4	31.4	35.3	39.2
<b>4359 (4500mm incl. support)</b>	€ 2290	€ 2842	€ 3333	€ 3828	€ 4316	€ 5180	€ 5579	€ 6073
#m <sup>2</sup> sheets	13.2	17.6	22.1	26.5	30.9	35.3	39.7	44.1
<b>Supports (included)</b>	2 supports		3 supports			4 supports		

Please note: these prices are indicative and not binding!

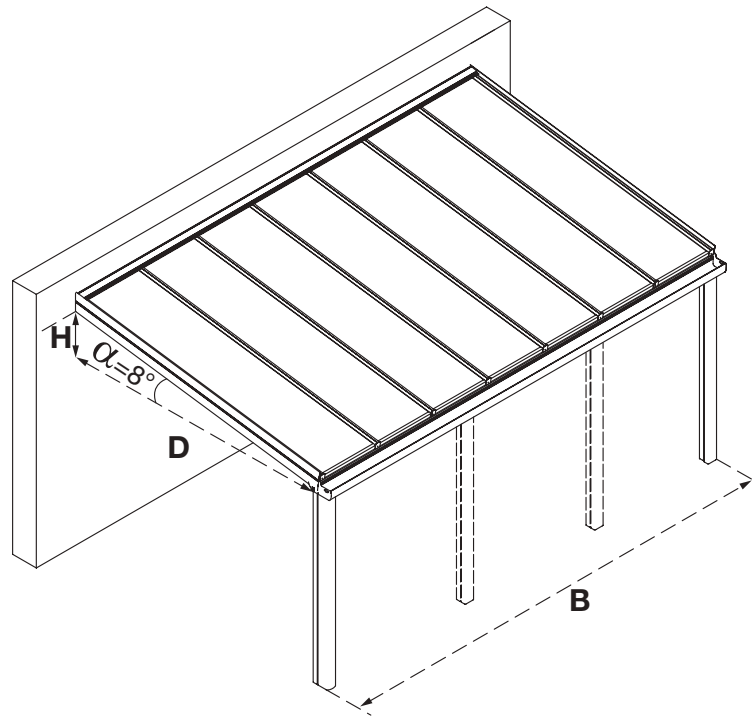
#### Most sold sheets for this system:

Top X5 - 16mm : € 41.90/m<sup>2</sup> gross

Top X6 - 16mm : € 44.80/m<sup>2</sup> gross

Reflex - 16mm : € 46.90/m<sup>2</sup> gross

Alltop - 16mm : € 78.30/m<sup>2</sup> gross



For glass without roof overhang

CLIMALUX CLASSIC prepared for 8mm LSG (850 N/m <sup>2</sup> snow load & pitch 8°)								
Width 'B' (in mm) → ↓ Depth 'D' (in mm)	3000	4000	5000	6000	7000	8000	9000	10000
<b>2359 (2500mm incl. support)</b>	€ 1827	€ 2417	€ 2748	€ 3082	€ 3408	€ 4312	€ 4550	€ 4884
#m <sup>2</sup> glass panels	6.9	9.2	11.6	13.9	16.3	18.6	20.9	23.3
<b>2859 (3000mm incl. support)</b>	€ 1983	€ 2633	€ 2994	€ 3358	€ 3715	€ 4679	€ 4948	€ 5312
#m <sup>2</sup> glass panels	8.3	11.1	14.0	16.8	19.7	22.5	25.3	28.2
<b>3359 (3500mm incl. support)</b>	€ 2139	€ 2850	€ 3242	€ 3636	€ 4147	€ 5047	€ 5346	€ 5740
#m <sup>2</sup> glass panels	9.8	13.0	16.4	19.8	23.1	26.4	29.7	33.1
<b>3859 (4000mm incl. support)</b>	€ 2311	€ 3083	€ 3504	€ 3929	€ 4471	€ 5432	€ 5760	€ 6263
#m <sup>2</sup> glass panels	11.2	15.0	18.8	22.7	26.5	30.3	34.1	37.9
<b>Supports (included)</b>	<b>2 supports</b>	<b>3 supports</b>			<b>4 supports</b>			
# of glass panels	4	6	7	8	9	11	12	13

Please note: these prices are indicative and not binding!

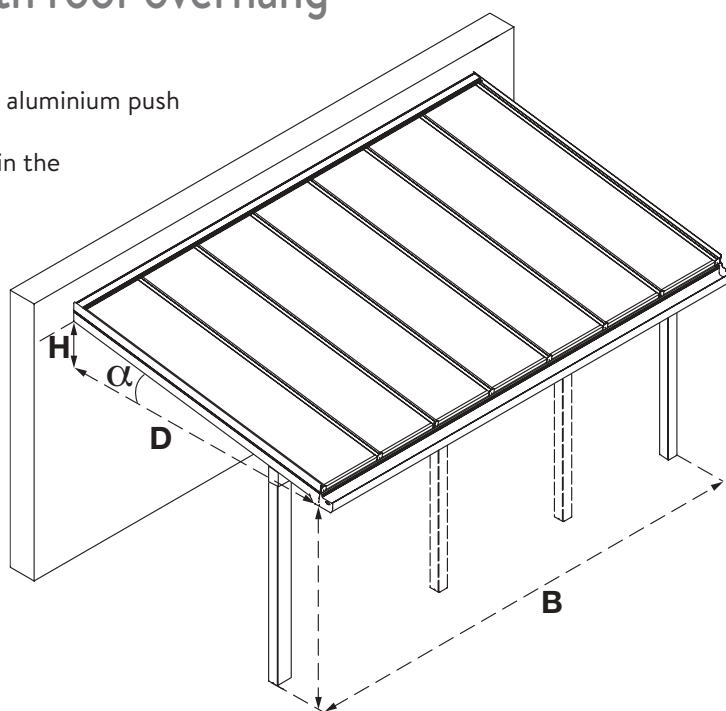
OPTIONAL					
	(mm)	3500	5000	6000	7000
Softline gutter attachment GLX		€ 200	€ 285	€ 342	€ 399
Cross-section GDx for freestanding version		€ 449	€ 632	€ 753	€ 875
	(mm)	2500	3250	5000	6500
Support for cross-section GDx 110 x 110mm*		€ 194	€ 233	€ 323	€ 401

\* Please install the posts 40cm deep into the concrete

## Quick calculator Climalux with roof overhang

Info:

- Aluminium profile system with Classic gutter and aluminium push clips
- 2, 3 of 4 posts 110 x 110 x 2500mm are included in the price
- Roof pitch of 8°
- 2 standard RAL colours: white RAL 9010 & anthracite RAL 7016 ST. Delivery time max. 3 weeks
- 6 "trend" RAL colours: cream white RAL 9001, black RAL 9005 ST, white aluminium RAL 9006 ST, grey aluminium RAL 9007 ST, RAL 9009 ST (DB703) & purple red RAL 3004. Surcharge: € 150 net – delivery time: 6 weeks
- Other RAL colours: see p. 8 & 9 (price on request) – delivery time: 6 weeks
- Plastic sheets or glass not included in the price
- Maximum deflection of the profiles: 1/200
- Drainpipe and accessories included
- A roof overhang of max. 550mm is possible



Calculate the price as follows:

- Measure the roof's width B (mm) and depth D (mm).
- Select the next size up in the table and read off the prices of the profiles.
- Multiply the sheet or glass area, indicated in the same box, by the price/m<sup>2</sup> of the sheet (see p. 72-75) or the glass (not supplied by Skylux).

### For sheets with roof overhang

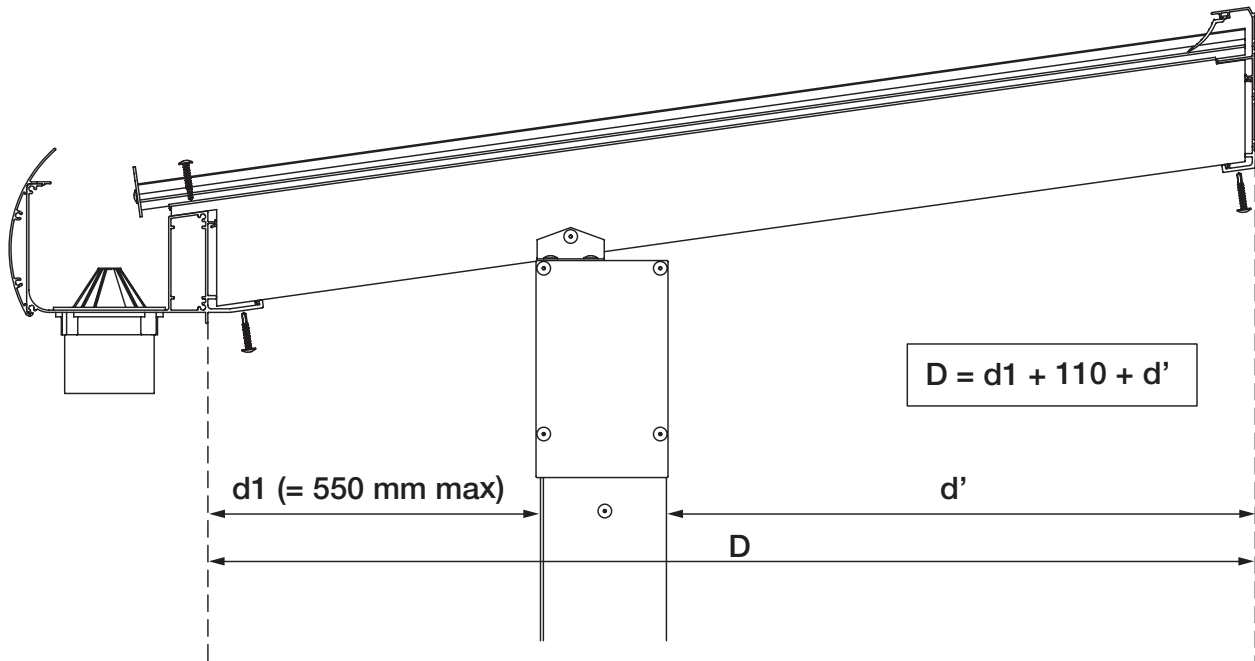
CLIMALUX CLASSIC prepared for 16mm thick and 980mm wide multi-walled sheets (650 N/m <sup>2</sup> snow load & pitch 8°)								
Width 'B' (in mm) → ↓ Depth 'D' (in mm)	3000	4000	5000	6000	7000	8000	9000	10000
<b>2359 (d'=1699mm)</b>	€ 2370	€ 2845	€ 3201	€ 3683	€ 4158	€ 5158	€ 5514	€ 5874
#m <sup>2</sup> sheets	7.4	9.8	12.3	14.7	17.2	19.6	22.1	24.5
<b>2859 (d'=2199mm)</b>	€ 2496	€ 3000	€ 3387	€ 3899	€ 4404	€ 5435	€ 5821	€ 6211
#m <sup>2</sup> sheets	8.8	11.8	14.7	17.6	20.6	23.5	26.5	29.4
<b>3359 (d'=2699mm)</b>	€ 2622	€ 3157	€ 3573	€ 4116	€ 4651	€ 5712	€ 6129	€ 6549
#m <sup>2</sup> sheets	10.3	13.7	17.2	20.6	24.0	27.4	30.9	34.3
<b>3859 (d'=3199mm)</b>	€ 2764	€ 3329	€ 3776	€ 4349	€ 4914	€ 6005	€ 6452	€ 6902
#m <sup>2</sup> sheets	11.8	15.7	19.6	23.5	27.4	31.4	35.3	39.2
<b>4359 (d'=3699mm)</b>	€ 2983	€ 3608	€ 4115	€ 4748	€ 5530	€ 6525	€ 7032	€ 7543
#m <sup>2</sup> sheets	13.2	17.6	22.1	26.5	30.9	35.3	39.7	44.1
<b>4800 (d'=4140mm)</b>	€ 2983	€ 3608	€ 4115	€ 4748	€ 5530	€ 6525	€ 7032	€ 7543
#m <sup>2</sup> sheets	14.7	19.6	24.5	29.4	34.3	39.2	44.1	49.0
<b>Supports (included)</b>	2 supports			3 supports				

GDX cross-beam included in the price.

**Please note: these prices are indicative and not binding!**

#### Most sold sheets for this system:

- Top X5 - 16mm : € 41.90/m<sup>2</sup> gross
- Top X6 - 16mm : € 44.80/m<sup>2</sup> gross
- Reflex - 16mm : € 46.90/m<sup>2</sup> gross
- Alltop - 16mm : € 78.30/m<sup>2</sup> gross



For glass with roof overhang

CLIMALUX CLASSIC prepared for 8mm LSG (850 N/m <sup>2</sup> snow load & pitch 8°)								
Width 'B' (in mm) → ↓ Depth 'D' (in mm)	3000	4000	5000	6000	7000	8000	9000	10000
<b>2359 (d'=1699mm)</b>	€ 2536	€ 3216	€ 3563	€ 4034	€ 4655	€ 5704	€ 6052	€ 6402
#m <sup>2</sup> glass panels	6.9	9.2	11.6	13.9	16.3	18.6	20.9	23.3
<b>2859 (d'=2199mm)</b>	€ 2691	€ 3432	€ 3809	€ 4310	€ 4961	€ 6072	€ 6449	€ 6829
#m <sup>2</sup> glass panels	8.3	11.1	14.0	16.8	19.7	22.5	25.3	28.2
<b>3359 (d'=2699mm)</b>	€ 2848	€ 3649	€ 4056	€ 4588	€ 5269	€ 6440	€ 6848	€ 7258
#m <sup>2</sup> glass panels	9.8	13.0	16.4	19.8	23.1	26.4	29.7	33.1
<b>3859 (d'=3199mm)</b>	€ 3020	€ 3881	€ 4319	€ 5037	€ 5592	€ 6825	€ 7262	€ 7702
#m <sup>2</sup> glass panels	11.2	15.0	18.8	22.7	26.5	30.3	34.1	37.9
<b>4359 (d'=3699mm)</b>	€ 3299	€ 4280	€ 4778	€ 5557	€ 6172	€ 7525	€ 8023	€ 8524
#m <sup>2</sup> glass panels	12.6	16.9	21.2	25.6	29.9	34.2	38.5	42.8
<b>4800 (d'=4140mm)</b>	€ 3299	€ 4280	€ 4778	€ 5557	€ 6172	€ 7525	€ 8023	€ 8524
#m <sup>2</sup> glass panels	13.9	18.6	23.4	28.1	32.9	37.6	42.3	47.1
<b>Supports (included)</b>	2 supports			3 supports				
# of glass panels	4	6	7	8	9	11	12	13

GDX cross-beam included in the price.

**Please note: these prices are indicative and not binding!**

Optional					
	(mm)	3500	5000	6000	7000
Softline gutter attachment GLX		€ 200	€ 285	€ 342	€ 399
Cross-section GDX for freestanding version		€ 449	€ 632	€ 753	€ 875
	(mm)	2500	3250	5000	6500
Support for cross-section GDX 110 x 110mm*		€ 194	€ 233	€ 323	€ 401

\* Please install the posts 40cm deep into the concrete

## Quick calculator Climalux standard roofs

**NEW**

The following standard sizes have already been prepacked and are available from stock within about a week after the order date.

Please note: these prices are indicative and not binding!

### Climalux standard roofs for sheets

CLIMALUX CLASSIC prepared for 16mm thick and 980mm wide multi-walled sheets* (650 N/m <sup>2</sup> snow load & pitch 8°)				
Width 'B' (in mm) → ↓ Depth 'D' (in mm)	4000	5000	6000	7000
<b>2859 (3000mm incl. support)</b>	<b>€ 2102.25</b>	<b>€ 2593.73</b>	<b>€ 2964.67</b>	<b>€ 3328.41</b>
Items° RAL 7016 ST	41329	41331	41333	48287
Items° RAL 9010	41330	41332	41334	48288
<b>3359 (3500mm incl. support)</b>	<b>€ 2257.82</b>	<b>€ 2779.52</b>	<b>€ 3180.68</b>	<b>€ 3574.65</b>
Items° RAL 7016 ST	41335	41337	41339	48289
Items° RAL 9010	41336	41338	41340	48290
<b>3859 (4000mm incl. support)</b>	<b>€ 2413.38</b>	<b>€ 2965.31</b>	<b>€ 3396.70</b>	<b>€ 3820.89</b>
Items° RAL 7016 ST	41341	41343	41345	48291
Items° RAL 9010	41342	41344	41346	48292
<b>Supports (included)</b>	<b>2 supports</b>		<b>3 supports</b>	

\* plastic sheets are not included in the price

### Climalux standard sets

Description	Length (in mm)	Items° (RAL 7016 ST)	Items° (RAL 9010)	Price/box
Rafter set (2 rafters/box)	3000	36664	36660	€ 456.02
Rafter set (3 rafters/box)	3000	36665	36661	€ 684.03
Rafter set (2 rafters/box)	3500	36666	36662	€ 516.47
Rafter set (3 rafters/box)	3500	36667	36663	€ 774.71
Rafter set (2 rafters/box)	4000	40983	40984	€ 576.92
Rafter set (3 rafters/box)	4000	40985	40986	€ 865.38
Side rafter set (2 side rafters/box)	3000	36658	36656	€ 443.46
	3500	36659	36657	€ 508.35
	4000	40980	40981	€ 573.24
Wall connection and gutter set	4000	36653	36650	€ 667.57
	5000	36654	36651	€ 802.23
	6000	36655	36652	€ 935.39
	7000	48277	48276	€ 1061.35
Support set (1 support/box)	2500	36670	36668	€ 119.04
Support set (2 supports/box)	2500	36671	36669	€ 238.07
Support set (1 support/box)	3250	48437	48435	€ 150.53
Support set (2 supports/box)	3250	48438	48436	€ 301.06
Sheets accessories set	4000	48279	48280	€ 69.12
	5000	48281	48282	€ 78.89
	6000	48283	48284	€ 88.66
	7000	48285	48286	€ 98.43

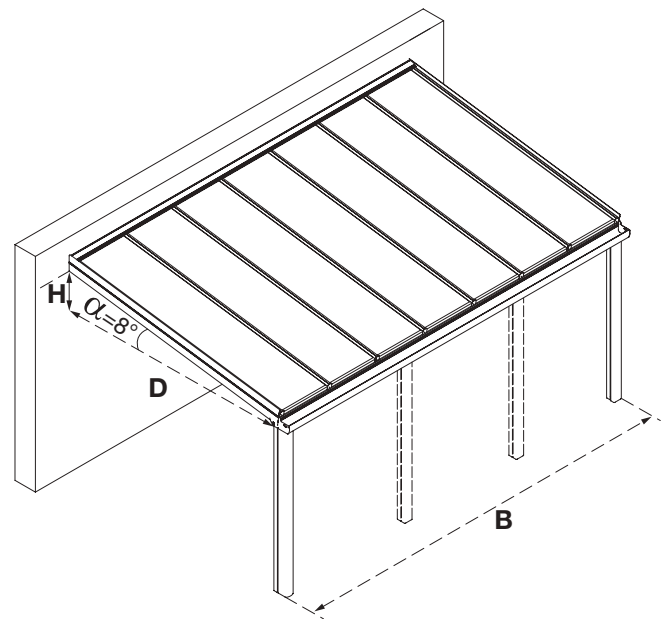
For example: a standard Climalux roof 4000 x 2859 in RAL7016 structure (item 41329) consists of: 1x item 36665, 1x 36658, 1x item 36653, 1x item 36671 & 1x item 48279

Optional Climaled lighting

ATTENTION! If glass is used, we also recommend ordering the optional L432 profile as glass cover on the gutter + silicone glue.

### Set contents

Rafter set	rafter DX aluminium clips CL16 spacer AX rubber pieces tampers
Side rafter set	rafter DX side clips CLLX spacer AX rubber pieces tampers
Wall connection and gutter set	wall connection section MX classic gutter profile GX wall rubber drainpipe screws and nail anchors drain support and bends gutter and wall fittings touch up paint pen
Support set	support post PX (110 x 141 x 2500/3250mm) U-top/bottom
Accessories set	tapes bb16 and bt16 silicone aluminium sealing profile U16



INFO:

- \* Max. deflection of the profiles: 1/200
- \* Delivery time: approx. 1 week

### Assembly data (only for standard roofs)

↓ Depth (D) (in mm)	Width (B) (in mm) →	4000	5000	6000	7000
<b>2859</b> (3000mm incl. support)	Δ H	400	400	400	400
	Sheet length	2919	2919	2919	2919
	Sheet width	2 x 980 + 2 x 946	3 x 980 + 2 x 945	4 x 980 + 2 x 944	5 x 980 + 2 x 943
	AX profile	4 x 942 + 4 x 908	6 x 942 + 4 x 907	8 x 942 + 4 x 906	10 x 942 + 4 x 905
<b>3359</b> (3500mm incl. support)	Δ H	470	470	470	470
	Sheet length	3424	3424	3424	3424
	Sheet width	2 x 980 + 2 x 946	3 x 980 + 2 x 945	4 x 980 + 2 x 944	5 x 980 + 2 x 943
	AX profile	4 x 942 + 4 x 908	6 x 942 + 4 x 907	8 x 942 + 4 x 906	10 x 942 + 4 x 905
<b>3859</b> (4000mm incl. support)	Δ H	540	540	540	540
	Sheet length	3929	3929	3929	3929
	Sheet width	2 x 980 + 2 x 946	3 x 980 + 2 x 945	4 x 980 + 2 x 944	5 x 980 + 2 x 943
	AX profile	4 x 942 + 4 x 908	6 x 942 + 4 x 907	8 x 942 + 4 x 906	10 x 942 + 4 x 905

**Most sold sheets for this system:**

**Top X5 - 16mm : € 41.90/m<sup>2</sup> gross**  
**Top X6 - 16mm : € 44.80/m<sup>2</sup> gross**  
**Reflex - 16mm : € 46.90/m<sup>2</sup> gross**  
**Alltop - 16mm : € 78.30/m<sup>2</sup> gross**